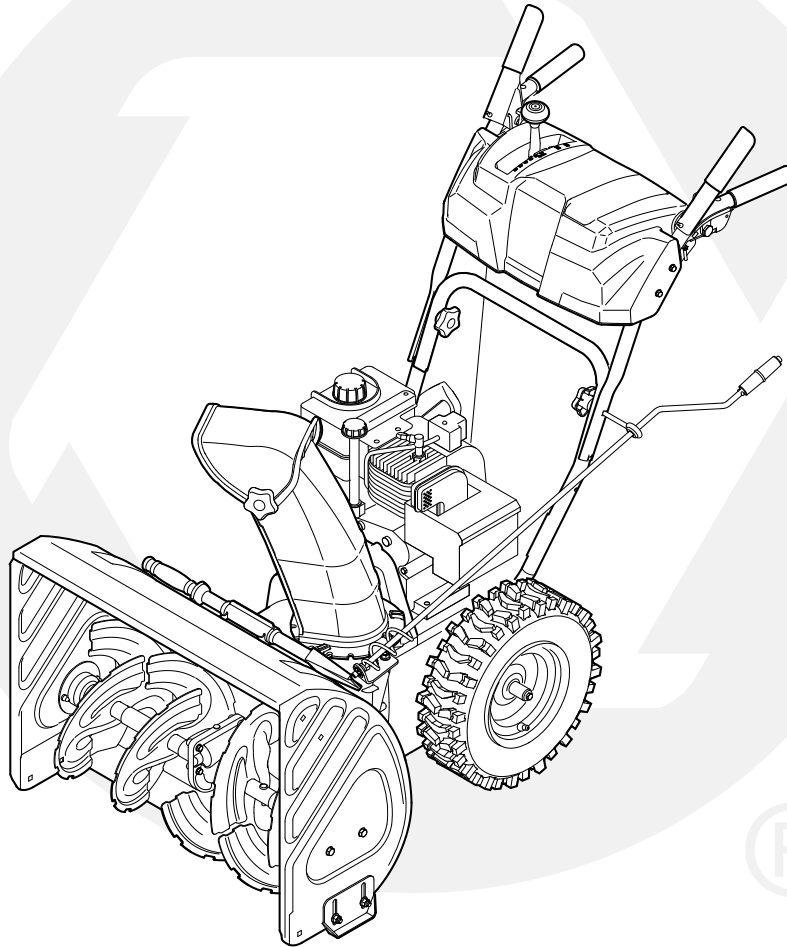


# OPERATOR'S MANUAL



## Two-Stage Snow Thrower — STORM Series

### IMPORTANT

#### READ SAFETY RULES AND INSTRUCTIONS CAREFULLY BEFORE OPERATION

**Warning:** This unit is equipped with an internal combustion engine and should not be used on or near any unimproved forest-covered, brush-covered or grass-covered land unless the engine's exhaust system is equipped with a spark arrester meeting applicable local or state laws (if any). If a spark arrester is used, it should be maintained in effective working order by the operator. In the State of California the above is required by law (Section 4442 of the California Public Resources Code). Other states may have similar laws. Federal laws apply on federal lands. A spark arrester for the muffler is available through your nearest engine authorized service dealer or contact the service department, P.O. Box 361131 Cleveland, Ohio 44136-0019.

This Operator's Manual is an important part of your new snow thrower. It will help you assemble, prepare, and maintain the unit for best performance. Please read and understand what it says.

## Table of Contents

Safety Labels .....	3	Maintaining Your Snow Thrower .....	14
Safe Operation Practices .....	4	Off-Season Storage .....	18
Setting Up Your Snow Thrower .....	6	Troubleshooting.....	19
Operating Your Snow Thrower .....	8	Illustrated Parts List .....	20
Making Adjustments .....	12	Warranty .....	Back Cover

Specifications are subject to change without notification or obligation. Images may not reflect your exact model and are for reference purposes only.

## Finding and Recording Model Number

BEFORE ASSEMBLING YOUR NEW EQUIPMENT, please locate the model plate on the equipment and copy the information to the sample model plate provided to the right. You can locate the model plate by standing at the operating position and looking down at the rear of the deck. This information will be necessary to use the manufacturer's web site, or when obtaining assistance from the Customer Support Department or an authorized service dealer.

  
www.troybilt.com

TROY-BILT LLC  
P. O. BOX 361131  
CLEVELAND, OH 44136  
330-558-7220  
1-800-520-5520

## Customer Support

Please do **NOT** return the unit to the retailer from which it was purchased, without first contacting Customer Support.

If you have difficulty assembling this product or have any questions regarding the controls, operation or maintenance of this unit, you can seek help from the experts. Choose from the options below:

- Visit [www.troybilt.com](http://www.troybilt.com)
- Call a Customer Support Representative at **1-800-520-5520**.
- The engine manufacturer is responsible for all engine-related issues with regard to performance, power-rating, specifications, warranty, and service. Please refer to the engine manufacturer's Owner's/Operator's Manual, packed separately with your unit, for more information.

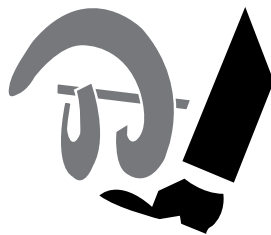
## DANGER

1. KEEP AWAY FROM ROTATING IMPELLER AND AUGER. CONTACT WITH IMPELLER OR AUGER CAN AMPUTATE HANDS AND FEET.
2. USE CLEAN-OUT TOOL TO UNCLOG DISCHARGE CHUTE.
3. DISENGAGE CLUTCH LEVERS, STOP ENGINE, AND REMAIN BEHIND HANDLES UNTIL ALL MOVING PARTS HAVE STOPPED BEFORE UNCLOGGING OR SERVICING MACHINE.
4. TO AVOID THROWN OBJECTS INJURIES, NEVER DIRECT DISCHARGE AT BYSTANDERS. USE EXTRA CAUTION WHEN OPERATING ON GRAVEL SURFACES.
5. READ OPERATOR'S MANUAL.

CLEAN-OUT TOOL

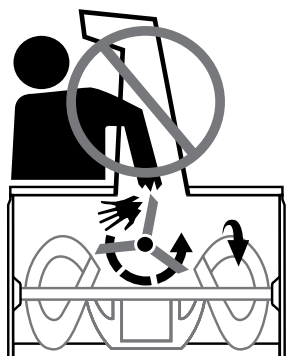


## DANGER



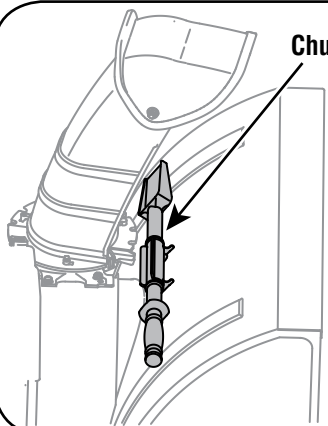
AVOID INJURY FROM ROTATING AUGER - KEEP HANDS, FEET AND CLOTHING AWAY.

## DANGER



- NEVER PUT HAND IN CHUTE. CONTACT WITH ROTATING PARTS CAN AMPUTATE FINGERS AND HANDS.
- SHUT OFF ENGINE AND WAIT UNTIL ALL MOVING PARTS HAVE STOPPED BEFORE UNCLOGGING.
- USE CLEAN-OUT TOOL OR WOODEN STICK TO UNCLOG DISCHARGE CHUTE.

Chute Clean-out Tool



A chute clean-out tool is fastened to the top of the auger housing with a mounting clip. The tool is designed to clear a chute assembly of ice and snow.

This item is fastened with a cable tie at the factory. Cut the cable tie before operating the snow thrower.



**WARNING:** Never use your hands to clear a clogged chute assembly. Shut off engine and remain behind handles until all moving parts have stopped before using the clean-out tool to clear the chute assembly.

# 1

## Safety Labels



### WARNING

This symbol points out important safety instructions which, if not followed, could endanger the personal safety and/or property of yourself and others. Read and follow all instructions in this manual before attempting to operate this machine. Failure to comply with these instructions may result in personal injury. When you see this symbol.

#### HEED ITS WARNING!

#### Your Responsibility

Restrict the use of this power machine to persons who read, understand and follow the warnings and instructions in this manual and on the machine.

# 2

## Safe Operation Practices



### WARNING

This symbol points out important safety instructions which, if not followed, could endanger the personal safety and/or property of yourself and others. Read and follow all instructions in this manual before attempting to operate this machine. Failure to comply with these instructions may result in personal injury. When you see this symbol.

#### HEED ITS WARNING!

#### Your Responsibility

Restrict the use of this power machine to persons who read, understand and follow the warnings and instructions in this manual and on the machine.



**WARNING:** Engine Exhaust, some of its constituents, and certain vehicle components contain or emit chemicals known to State of California to cause cancer and birth defects or other reproductive harm.

**DANGER:** This machine was built to be operated according to the rules for safe operation in this manual. As with any type of power equipment, carelessness or error on the part of the operator can result in serious injury. This machine is capable of amputating hands and feet and throwing objects. Failure to observe the following safety instructions could result in serious injury or death.

### Training

1. Read, understand, and follow all instructions on the machine and in the manual(s) before attempting to assemble and operate. Keep this manual in a safe place for future and regular reference and for ordering replacement parts.
2. Be familiar with all controls and their proper operation. Know how to stop the machine and disengage them quickly.
3. Never allow children under 14 years old to operate this machine. Children 14 years old and over should read and understand the operation instructions and safety rules in this manual and should be trained and supervised by a parent.
4. Never allow adults to operate this machine without proper instruction.
5. Thrown objects can cause serious personal injury. Plan your snow-throwing pattern to avoid discharge of material toward roads, bystanders, and the like.
6. Keep bystanders, helpers, pets, and children at least 75 feet from the machine while it is in operation. Stop machine if anyone enters the area.
7. Exercise caution to avoid slipping or falling, especially when operating in reverse.

### Preparation

1. Thoroughly inspect the area where the equipment is to be used. Remove all doormats, newspapers, sleds, boards, wires, and other foreign objects, which could be tripped over or thrown by the auger/impeller.
2. Always wear safety glasses or eye shields during operation and while performing an adjustment or repair to protect your eyes. Thrown objects which ricochet can cause serious injury to the eyes.
3. Do not operate without wearing adequate winter outer garments. Do not wear jewelry, long scarves, or other loose clothing which could become entangled in moving parts. Wear footwear which will improve footing on slippery surfaces.
4. Use a grounded three-wire extension cord and receptacle for all units with electric start engines.
5. Adjust collector housing height to clear gravel or crushed rock surfaces.
6. Disengage all control levers before starting the engine.
7. Never attempt to make any adjustments while engine is running, except where specifically recommended in the operator's manual.
8. Let engine and machine adjust to outdoor temperature before starting to clear snow.
9. To avoid personal injury or property damage use extreme care in handling gasoline. Gasoline is extremely flammable and the vapors are explosive. Serious personal injury can occur when gasoline is spilled on yourself or your clothes, which can ignite. Wash your skin and change clothes immediately.
  - a. Use only an approved gasoline container.
  - b. Extinguish all cigarettes, cigars, pipes and other sources of ignition.
  - c. Never fuel machine indoors.
  - d. Never remove gas cap or add fuel while the engine is hot or running.
  - e. Allow engine to cool at least two minutes before refueling.
  - f. Never over fill fuel tank. Fill tank to no more than ½-inch below bottom of filler neck to provide space for fuel expansion.
  - g. Replace gasoline cap and tighten securely.
  - h. If gasoline is spilled, wipe it off the engine and equipment. Move machine to another area. Wait five minutes before starting the engine.
  - i. Never store the machine or fuel container inside where there is an open flame, spark or pilot light (e.g. furnace, water heater, space heater, clothes dryer etc.).
  - j. Allow machine to cool at least five minutes before storing.

## Operation

1. Do not put hands or feet near rotating parts, in the auger/impeller housing or chute assembly. Contact with the rotating parts can amputate hands and feet.
2. The auger/impeller control lever is a safety device. Never bypass its operation. Doing so makes the machine unsafe and may cause personal injury.
3. The control levers must operate easily in both directions and automatically return to the disengaged position when released.
4. Never operate with a missing or damaged chute assembly. Keep all safety devices in place and working.
5. Never run an engine indoors or in a poorly ventilated area. Engine exhaust contains carbon monoxide, an odorless and deadly gas.
6. Do not operate machine while under the influence of alcohol or drugs.
7. Muffler and engine become hot and can cause a burn. Do not touch.
8. Exercise extreme caution when operating on or crossing gravel surfaces. Stay alert for hidden hazards or traffic.
9. Exercise caution when changing direction and while operating on slopes.
10. Plan your snow-throwing pattern to avoid discharge towards windows, walls, cars etc. Thus, avoiding possible property damage or personal injury caused by a ricochet.
11. Never direct discharge at children, bystanders, and pets or allow anyone in front of the machine.
12. Do not overload machine capacity by attempting to clear snow at too fast of a rate.
13. Never operate this machine without good visibility or light. Always be sure of your footing and keep a firm hold on the handles. Walk, never run.
14. Disengage power to the auger/impeller when transporting or not in use.
15. Never operate machine at high transport speeds on slippery surfaces. Look down and behind and use care when backing up.
16. If the machine should start to vibrate abnormally, stop the engine, disconnect the spark plug wire and ground it against the engine. Inspect thoroughly for damage. Repair any damage before starting and operating.
17. Disengage all control levers and stop engine before you leave the operating position (behind the handles). Wait until the auger/impeller comes to a complete stop before unclogging the chute assembly, making any adjustments, or inspections.
18. Never put your hand in the discharge or collector openings. Always use the clean-out tool provided to unclog the discharge opening. Do not unclog chute assembly while engine is running. Shut off engine and remain behind handles until all moving parts have stopped before unclogging.
19. Use only attachments and accessories approved by the manufacturer (e.g. wheel weights, tire chains, cabs etc.).
20. If situations occur which are not covered in this manual, use care and good judgment. Contact your dealer or call the customer service number found on page two.

## Maintenance & Storage

1. Never tamper with safety devices. Check their proper operation regularly. Refer to the maintenance and adjustment sections of this manual.
2. Before cleaning, repairing, or inspecting machine disengage all control levers and stop the engine. Wait until the auger/impeller come to a complete stop. Disconnect the spark plug wire and ground against the engine to prevent unintended starting.
3. Check bolts and screws for proper tightness at frequent intervals to keep the machine in safe working condition. Also, visually inspect machine for any damage.
4. Do not change the engine governor setting or over-speed the engine. The governor controls the maximum safe operating speed of the engine.
5. Snow thrower shave plates and skid shoes are subject to wear and damage. For your safety protection, frequently check all components and replace with original equipment manufacturer's (OEM) parts only. "Use of parts which do not meet the original equipment specifications may lead to improper performance and compromise safety!"
6. Check controls periodically to verify they engage and disengage properly and adjust, if necessary. Refer to the adjustment section in this operator's manual for instructions.
7. Maintain or replace safety and instruction labels, as necessary.
8. Observe proper disposal laws and regulations for gas, oil, etc. to protect the environment.
9. Prior to storing, run machine a few minutes to clear snow from machine and prevent freeze up of auger/impeller.
10. Never store the machine or fuel container inside where there is an open flame, spark or pilot light such as a water heater, furnace, clothes dryer etc.
11. Always refer to the operator's manual for proper instructions on off-season storage.

### Do not modify engine

To avoid serious injury or death, do not modify engine in any way. Tampering with the governor setting can lead to a runaway engine and cause it to operate at unsafe speeds. Never tamper with factory setting of engine governor.

### Notice regarding Emissions

Engines which are certified to comply with California and federal EPA emission regulations for SORE (Small Off Road Equipment) are certified to operate on regular unleaded gasoline, and may include the following emission control systems: Engine Modification (EM) and Three Way Catalyst (TWC) if so equipped.

### Your Responsibility

Restrict the use of this power machine to persons who read, understand and follow the warnings and instructions in this manual and on the machine.

# 2

## Safe Operation Practices



### WARNING

This symbol points out important safety instructions, which if not followed, could endanger the personal safety and/or property of yourself and others. Read and follow all instructions in this manual before attempting to operate this machine. Failure to comply with these instructions may result in personal injury. When you see this symbol.

**HEED IT'S WARNING!**

### Your Responsibility

Restrict the use of this power machine to persons who read, understand and follow the warnings and instructions in this manual and on the machine.



# 3

## Setting Up Your Snow Thrower



References to the right or left side of the snow thrower are determined from behind the unit in the operating position (standing directly behind the snow thrower, facing the handle panel).

Two replacement auger shear pins are included with this manual (or stowed in the plastic handle panel). Refer to Augers in Maintenance section for more information regarding shear pin replacement.

This Operator's Manual may cover a range of product specifications for various models. Characteristics and features discussed and/or illustrated in this manual may not be applicable to all models.

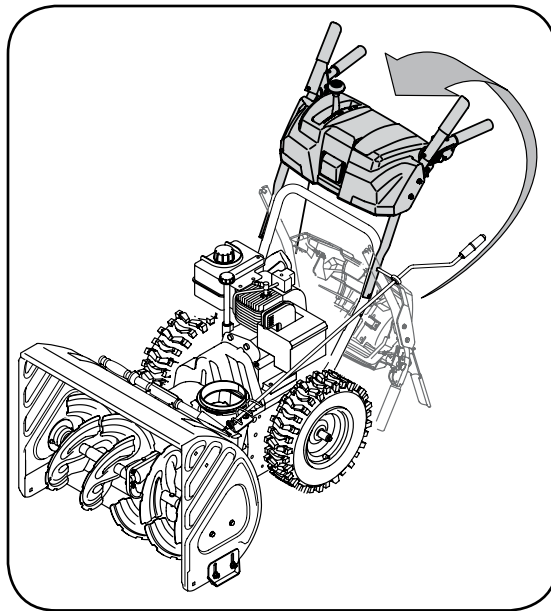


Figure 3-1

This Operator's Manual may cover a range of product specifications for various models. Characteristics and features discussed and/or illustrated in this manual may not be applicable to all models.

1. Remove the unit from the crate or carton.
2. Observe the lower area of the snow thrower to be sure cables are aligned with roller guides before pivoting handle upward.
  - a. Pull up and back on upper handle as shown in Figure 3-1. Align upper handle with the lower handle.
  - b. Tighten star knobs to secure upper handle to lower handle, Figure 3-2.
  - c. Remove and discard any rubber bands, if present. They are for packaging purposes only.
3. Certain units may require assembly of the chute. If this is the case, follow steps 4-6 to install the chute.
4. Position the chute assembly over the base, see Figure 3-3.
5. Close the flange keepers to secure the chute assembly to the chute base. The flange keepers will click into place when properly secure, Figure 3-4.

NOTE: If the flange keepers will not easily click into place, use the palm of your hand to apply swift, firm pressure to the back of each.

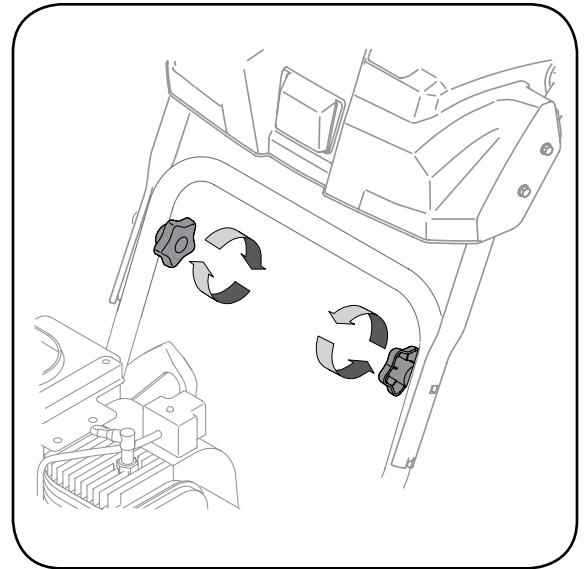


Figure 3-2

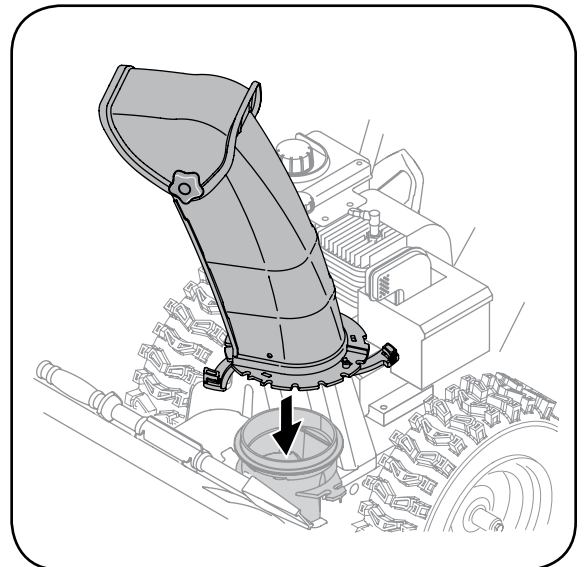


Figure 3-3

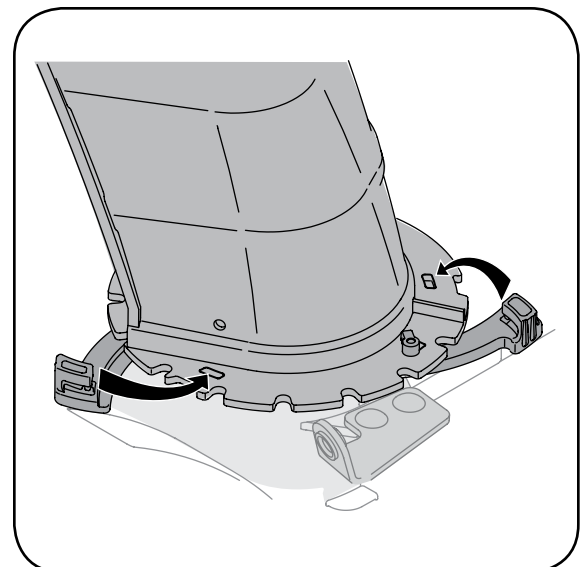


Figure 3-4

6. Remove the flat washer and hairpin clip from the end of the chute directional control, Figure 3-5.

Insert the end of the chute directional control into the lower bracket and secure with the flat washer and hairpin clip just removed. If necessary, the lower bracket can be adjusted. Refer to Chute Bracket Adjustment in the “Making Adjustments” section.

## Tire Pressure

Before operating, check tire pressure and reduce pressure in both tires to between 15 psi and 20 psi.

NOTE: If the tire pressure is not equal in both tires, the unit may not travel in a straight path and the shave plate may wear unevenly.

**IMPORTANT:** Prior to operating your snow thrower, refer to Auger Control Test in the “Operating your Snow Thrower” section. Read and follow all instructions carefully and perform all adjustments to verify your snow thrower is operating safely and properly.

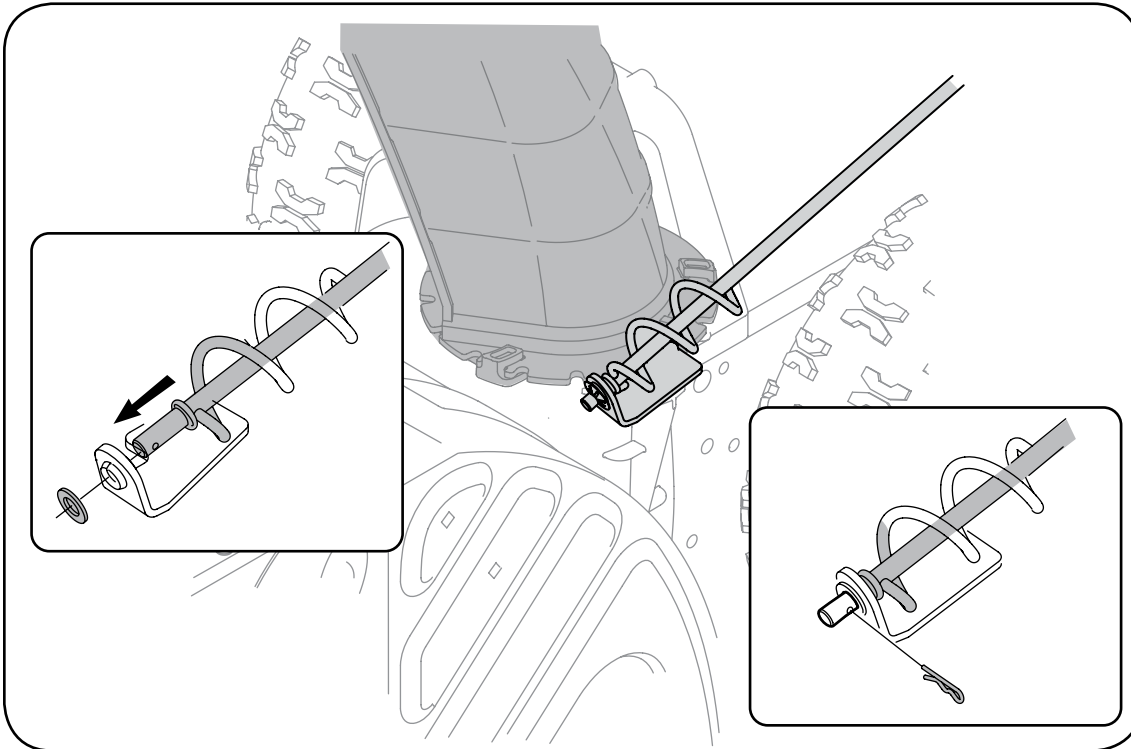


Figure 3-5

# 3

## Setting Up Your Snow Thrower



**IMPORTANT:** Prior to operating your snow thrower, refer to the Auger Control Test in the Operations section. Read and follow all instructions carefully and perform all adjustments to verify your snow thrower is operating safely and properly.

# 4

## Operating Your Snow Thrower



### WARNING

Read, understand, and follow all instructions and warnings on the machine and in this manual before operating.

Use extreme care when handling gasoline. Gasoline is extremely flammable and the vapors are explosive. Never fuel the machine indoors or while the engine is hot or running. Extinguish cigarettes, cigars, pipes and other sources of ignition.



This Operator's Manual may cover a range of product specifications for various models. Characteristics and features discussed and/or illustrated in this manual may not be applicable to all models.

## Know Your Snow Thrower

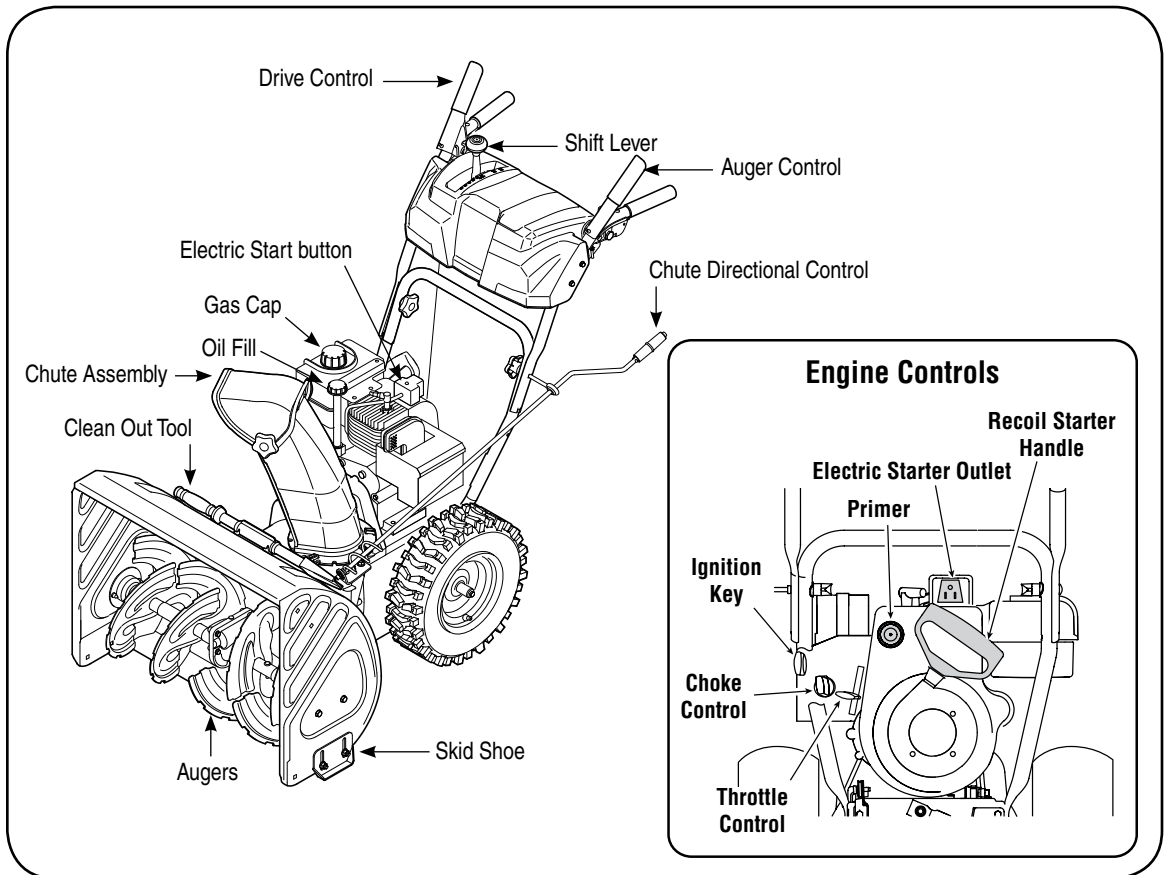


Figure 4-1

Now that you have setup your snow thrower, it's important to become acquainted with its controls and features.

NOTE: For detailed starting instructions and more information on all engine controls, refer to the Tecumseh Engines manual packed separately.

### Shift Lever

The shift lever is located on the right side of the handle panel. Place the shift lever into any of eight positions to control the direction of travel and ground speed.

#### Forward

There are six forward (F) speeds. Position one (1) is the slowest and position six (6) is the fastest.

#### Reverse

There are two reverse (R) speeds. One (1) is the slower and two (2) is the faster.

- 6
- 5
- 4
- 3
- 2
- ↑
- F 1
- R 1
- R 2

### Choke Control



The choke control is found on the rear of the engine and is activated by rotating the knob clockwise. Activating the choke control closes the choke plate on the carburetor and aids in starting the engine.

### Throttle Control

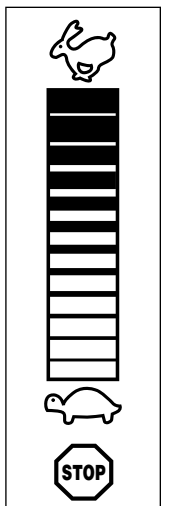
The throttle control is located on the engine. It regulates the speed of the engine and will shut off the engine when pushed down completely.

### Primer

Depressing the primer forces fuel directly into the engine's carburetor to aid in cold-weather starting.

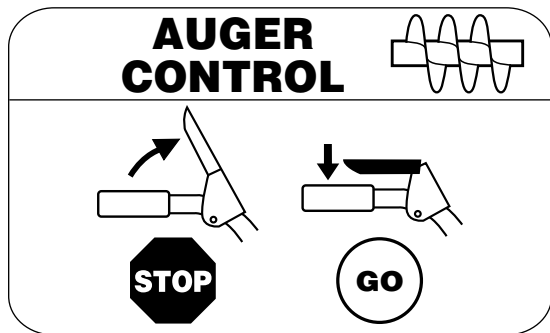
### Oil Fill

Engine oil level can be checked and oil added through the oil fill.



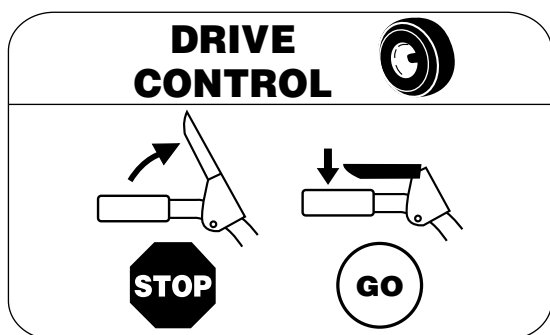


## Auger Control



The auger control is located on the left handle. Squeeze the control grip against the handle to engage the augers and start snow throwing action. Release to stop.

## Drive Control / Auger Clutch Lock\*



The drive control is located on the right handle. Squeeze the control grip against the handle to engage the wheel drive. Release to stop.

\*On select models, the drive control also locks the auger control so that you can operate the chute directional control without interrupting the snow throwing process. If the auger control is engaged simultaneously with the drive control, the operator can release the auger control (on the left handle) and the augers will remain engaged. Release both controls to stop the augers and wheel drive.

**IMPORTANT:** Always release the drive control before changing speeds.

## Ignition Key

The ignition key is a safety device. It must be fully inserted in order for the engine to start. Remove the ignition key when the snow thrower is not in use. Do not turn the ignition key in an attempt to start the engine. Doing so may cause it to break.

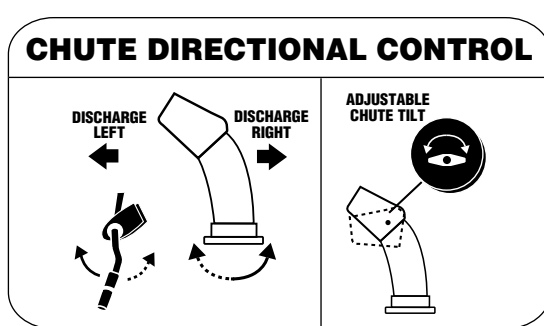
## Recoil Starter Handle

This handle is used to manually start the engine.

## Electric Starter Button

Pressing the electric starter button engages the engine's electric starter when plugged into a 120V power source.

## Chute Directional Control



The chute directional control is located on left side of the snow thrower.

To change the direction in which snow is thrown, turn chute directional control as follows:

- Crank clockwise to discharge to the left.
- Crank counterclockwise to discharge to the right.

## Clean-Out Tool



**WARNING:** Never use your hands to clear a clogged chute assembly. Shut off engine and remain behind handles until all moving parts have stopped before unclogging.

The chute clean-out tool is fastened to the top of the auger housing with a mounting clip. The tool is designed to clear a clogged chute assembly.

**NOTE:** This item is fastened with a cable tie to the rear of the auger housing at the factory. Cut the cable tie before operating the snow thrower.

## Skid Shoes

Position the skid shoes based on surface conditions. Adjust upward for hard-packed snow. Adjust downward when operating on gravel or crushed rock surfaces.

## Electric Starter Outlet

Requires the use of a three-prong outdoor extension cord and a 120V power source/wall outlet.

## Augers

When engaged, the augers rotate and draw snow into the auger housing.

## Chute Assembly

Snow drawn into the auger housing is discharged out the chute assembly.

## Gas Cap

Unthread the gas cap to add gasoline to the fuel tank.

# 4

## Operating Your Snow Thrower



## WARNING

The operation of any snow thrower can result in foreign objects being thrown into the eyes, which can damage your eyes severely. Always wear safety glasses while operating the snow thrower, or while performing any adjustments or repairs on it.

Be sure no one other than the operator is standing near the snow thrower while starting engine or operating snow thrower. Never run engine indoors or in enclosed, poorly ventilated areas. Engine exhaust contains carbon monoxide, an odorless and deadly gas. Keep hands, feet, hair and loose clothing away from any moving parts on engine and snow thrower.

# 4

## Operating Your Snow Thrower



### WARNING

Read, understand, and follow all instructions and warnings on the machine and in this manual before operating.

Use extreme care when handling gasoline. Gasoline is extremely flammable and the vapors are explosive. Never fuel the machine indoors or while the engine is hot or running. Extinguish cigarettes, cigars, pipes and other sources of ignition.

If your home's wiring system is not a three-wire grounded system, do not use this electric starter under any conditions.

If your home electrical system is grounded, but a three-hole receptacle is not available, do not use your snow thrower's electric starter.

## Gas & Oil Fill-Up

Service the engine with gasoline and oil as instructed in the Tecumseh Engines manual packed separately with your snow thrower. Read instructions carefully.

Starting The Engine:

1. Attach spark plug wire to spark plug. Make certain the metal loop on the end of the spark plug wire (inside the rubber boot) is fastened securely over the metal tip on the spark plug.
2. Make certain both the auger control and drive control are in the disengaged (released) position.
3. Move throttle control up to FAST position. Insert ignition key into slot. Make sure it snaps into place. Do not attempt to turn the key.

**NOTE:** The engine cannot start unless the key is inserted into ignition switch.

## Electric Starter

1. Determine that your home's wiring is a three-wire grounded system. Ask a licensed electrician if you are not certain.



**WARNING:** The optional electric starter is equipped with a grounded three-wire power cord and plug, and is designed to operate on 120 volt AC household current. It must be used with a properly grounded three-prong receptacle at all times to avoid the possibility of electric shock. Follow all instructions carefully prior to operating the electric starter.

If you have a grounded three-prong receptacle, proceed as follows:

1. Plug the extension cord into the outlet located on the engine's surface. Plug the other end of extension cord into a three-prong 120-volt, grounded, AC outlet in a well-ventilated area.
2. Rotate choke control to FULL choke position (for a cold engine start).

**NOTE:** If the engine is already warm, place choke control in the OFF position instead of FULL.

3. Push the primer two or three times for cold engine start, making sure to cover vent hole in the center of the primer when pushing.

**NOTE:** DO NOT use primer to restart a warm engine after a short shutdown.

4. Push starter button to start engine.
5. Once the engine starts, immediately release starter button.
6. As the engine warms, slowly rotate the choke control to the OFF position. If the engine falters, quickly rotate the choke control back to FULL and then slowly into the OFF position again.
7. When disconnecting the extension cord, always unplug the end at the three-prong wall outlet before unplugging the opposite end from the snow thrower.

## Recoil Starter

1. Rotate choke control to FULL choke position (cold engine start).

**NOTE:** If the engine is already warm, place choke control in the OFF position instead of FULL.

2. Push the primer two or three times for cold engine start, making sure to cover vent hole in the center of the primer when pushing.

**NOTE:** DO NOT use primer to restart a warm engine after a short shutdown.

**NOTE:** Additional priming may be necessary if the temperature is below 15° Fahrenheit.

3. Grasp the recoil starter handle and slowly pull the rope out. At the point where it becomes slightly harder to pull the rope, slowly allow the rope to recoil.
4. Pull the starter handle with a firm, rapid stroke. Do not release the handle and allow it to snap back. Keep a firm hold on the starter handle and allow it to slowly recoil.
5. As the engine warms, slowly rotate the choke control to the OFF position. If the engine falters, quickly rotate the choke control back to the FULL position and then slowly into the OFF position again.

**NOTE:** Allow the engine to warm up for a few minutes after starting. The engine will not develop full power until it reaches operating temperatures.

## Stopping The Engine

Run engine for a few minutes before stopping to help dry off any moisture on the engine.

## Chute Clean-Out Tool

The chute clean-out tool is conveniently fastened to the rear of the auger housing with a mounting clip. Should snow and ice become lodged in the chute assembly during operation, proceed as follows to safely clean the chute assembly and chute opening:

1. Release both the Auger Control and the Drive Control.
2. Stop the engine by removing the ignition key.
3. Remove the clean-out tool from the clip which secures it to the rear of the auger housing.
4. Use the shovel-shaped end of the clean-out tool to dislodge and scoop any snow and ice which has formed in and near the chute assembly.
5. Refasten the clean-out tool to the mounting clip on the rear of the auger housing, reinsert the ignition key and start the snow thrower's engine.
6. While standing in the operator's position (behind the snow thrower), engage the auger control for a few seconds to clear any remaining snow and ice from the chute assembly.

## To Engage Drive

1. With the throttle control in the Fast (rabbit) position, move shift lever into one of the six forward (F) positions or two reverse (R) positions. Select a speed appropriate for the snow conditions and a pace you're comfortable with.
2. Squeeze the auger control against the handle and the augers will turn. Release it and the augers will stop.
3. Squeeze the drive control against the handle the snow thrower will move. Release it and drive motion will stop.

## To Engage Augers

1. To engage the augers and start throwing snow, squeeze the auger control against the left handle. Release to stop the augers.

## Auger Control Test

Perform the following test before operating your snow thrower for the first time and at the start of each winter. Check the adjustment of the auger control as follows:

1. When the auger control is released and in the disengaged "up" position, the cable should have very little slack. It should NOT be tight.
2. In a well-ventilated area, start the snow thrower engine as instructed on the previous page. Make sure the throttle is set in the FAST position.
3. While standing in the operator's position (behind the snow thrower), engage the auger.
4. Allow the auger to remain engaged for approximately ten (10) seconds before releasing the auger control. Repeat this several times.
5. With the throttle control in the FAST (rabbit) position and the auger control in the disengaged "up" position, walk to the front of the machine.
6. Confirm that the auger has completely stopped rotating and shows NO signs of motion. If the auger shows ANY signs of rotating, immediately return to the operator's position and shut off the engine. Wait for ALL moving parts to stop before re-adjusting the auger control.
7. To readjust the control cable, loosen the upper hex nut on the auger cable bracket.
8. Position the bracket upward to provide more slack (or downward to increase cable tension). See Figure 4-2.
9. Retighten the upper hex nut.
10. Repeat Auger Control Test to verify proper adjustment has been achieved.

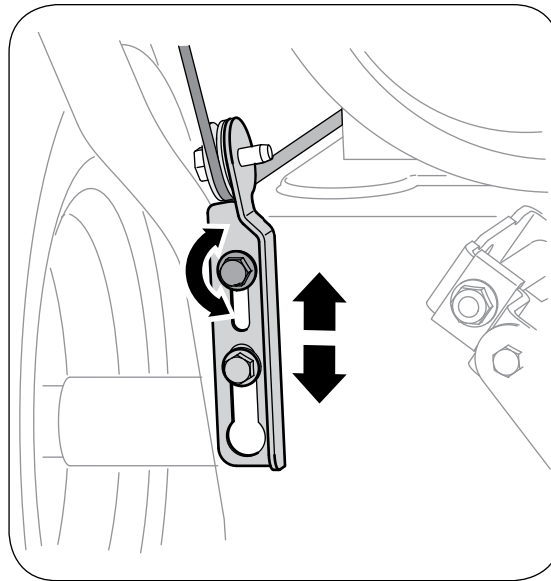


Figure 4-2

# 4

## Operating Your Snow Thrower



### WARNING

Never use your hands to clean snow and ice from the chute assembly or auger housing.

The muffler, engine and surrounding areas become hot and can cause a burn. Do not touch.



When selecting a Drive Speed, use the slower speeds until you are comfortable and familiar with the operation of the snow thrower.

**NEVER** reposition the shift lever (change speeds or direction of travel) without first releasing the drive control and bringing the snow thrower to a complete stop. Doing so will result in premature wear to the snow thrower's drive system.

# 5

## Making Adjustments



### WARNING

Read, understand, and follow all instructions and warnings on the machine and in this manual before operating.

Never attempt to make any adjustments while the engine is running, except where specified in operator's manual.

## Auger Control

Refer to Auger Control Test in Operation section to adjust the auger control.

### Shift Cable

If the full range of speeds (forward and reverse) cannot be achieved, refer to the figures to the right and adjust the shift cable as follows:

1. Place the shift lever in the **fastest** forward speed position.
2. Loosen the hex nut on the shift cable index bracket, Figure 5-1.
3. Pivot the bracket downward to take up slack in the cable.
4. Retighten the hex nut.

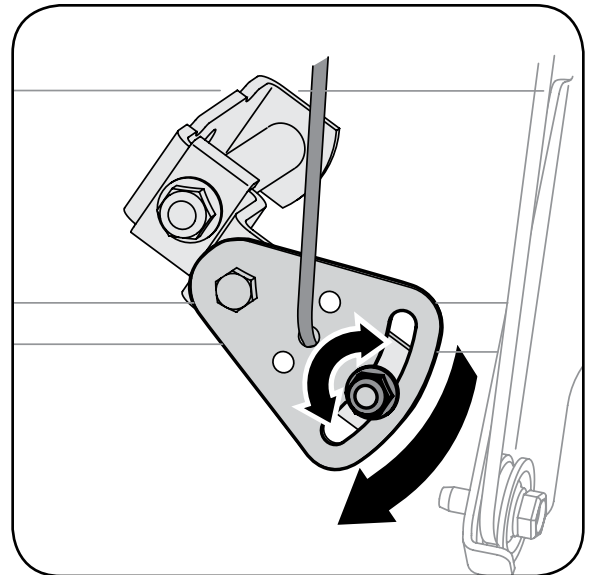


Figure 5-1

### Drive Control

When the drive control is released and in the disengaged "up" position, the cable should have very little slack. It should NOT be tight.

Check the adjustment of the drive control as follows:

1. With the drive control released, push the snow thrower gently forward. The unit should roll freely.
2. Engage the drive control and gently attempt to push the snow thrower forward. The wheels should not turn. The unit should not roll freely.
3. With the drive control released, move the shift lever back and forth between the R2 position and the F6 position several times. There should be no resistance in the shift lever.
4. If any of the above tests failed, the drive cable is in need of adjustment. Proceed as follows:
5. Loosen the lower hex nut on the drive cable bracket, Figure 5-2.
6. Position the bracket upward to provide more slack (or downward to increase cable tension).
7. Retighten the hex nut.

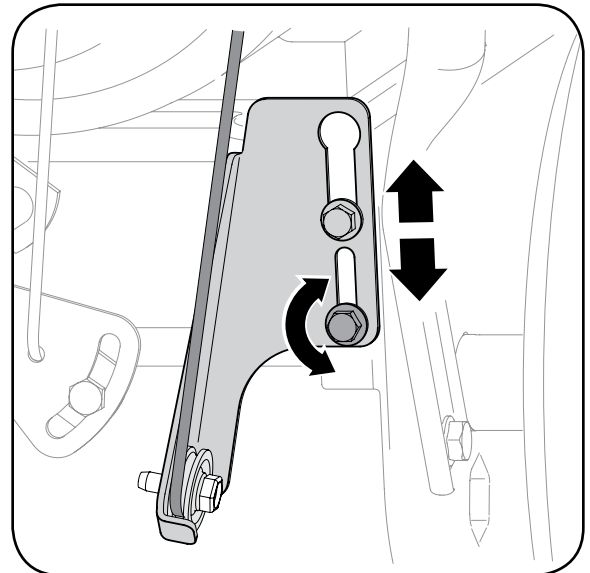


Figure 5-2

### Chute Assembly

The distance snow is thrown can be adjusted by changing the angle of the chute assembly. To do so:

1. Stop the engine by removing the ignition key and loosen the plastic wing knob found on the left side of the chute assembly.
2. Pivot the chute upward or downward before retightening the wing knob, Figure 5-3.

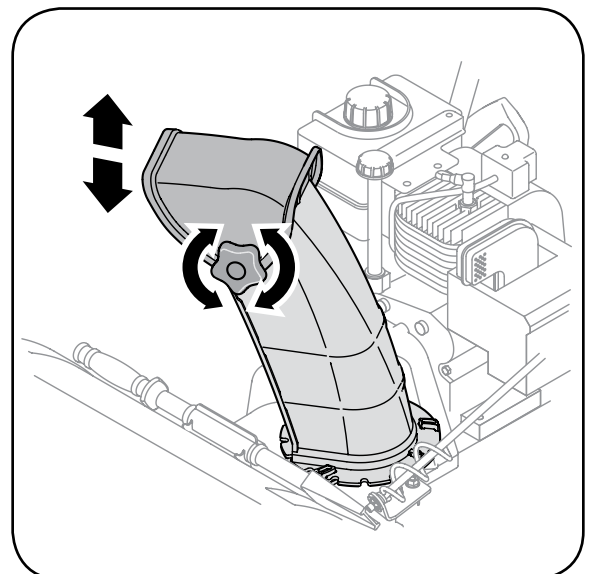


Figure 5-3

## Skid Shoes

The space between the skid shoes and the ground can be adjusted, Figure 5-4.

- For close snow removal on a smooth surface, raise skid shoes higher on the auger housing.
- Use a middle or lower position when the area to be cleared is uneven, such as a gravel driveway.

To adjust the skid shoes:

1. Loosen the four hex nuts (two on each side) and carriage bolts. Move skid shoes to desired position.
2. Make certain the entire bottom surface of skid shoe is against the ground to avoid uneven wear on the skid shoes.
3. Retighten nuts and bolts securely.

## Chute Bracket Adjustment

If the spiral at the bottom of the chute directional control is not fully engaging with the chute assembly, the chute bracket can be adjusted. To do so:

1. Loosen the two nuts which secure the chute bracket and reposition it slightly, Figure 5-5.
2. Retightening the nuts.

## Tire Pressure

Before operating, check tire pressure and reduce pressure to between 15 psi and 20 psi.

If the tire pressure is not equal in both tires, the unit may pull to one side or the other.

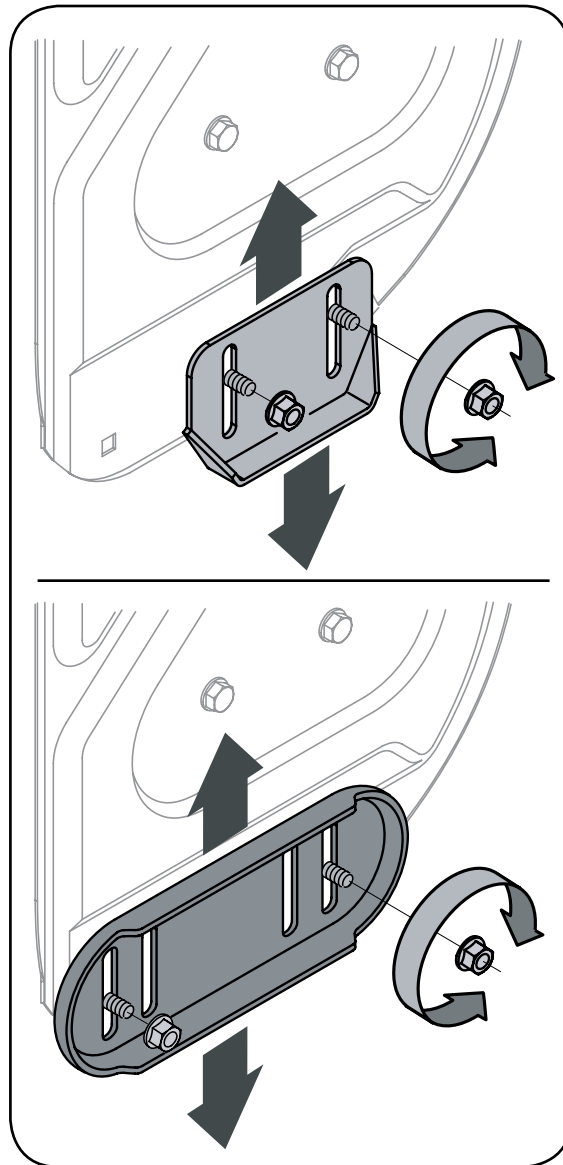


Figure 5-4 (two types shown)

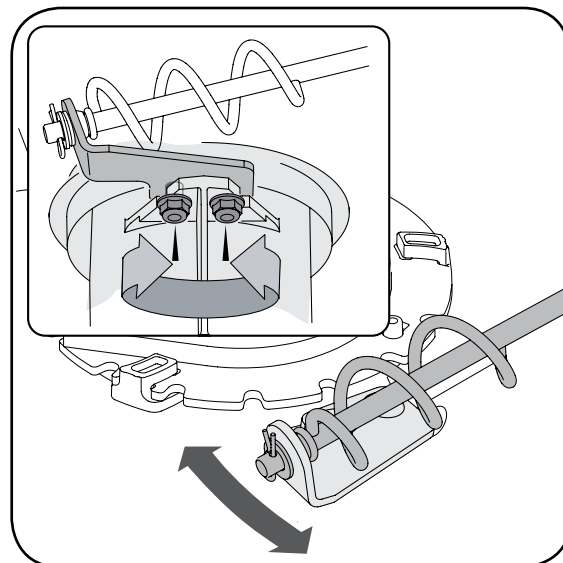


Figure 5-5

# 5

## Making Adjustments



### WARNING

Loose gravel can be picked up and thrown by the auger, causing injury to the operator and bystanders and/or damage to the snow thrower and surrounding property.



# 6

## Maintaining Your Snow Thrower



### WARNING

Before lubricating, repairing, or inspecting, disengage all controls and stop engine. Wait until all moving parts have come to a complete stop.



Avoid oil spillage on rubber friction wheel and aluminum drive plate.

Do not overfill the gear case. Damage to the seals could result.

This Operator's Manual may cover a range of product specifications for various models. Characteristics and features discussed and/or illustrated in this manual may not be applicable to all models.

## Engine

Refer to the separate *Tecumseh* Engines manual packed with your unit for all engine maintenance.

## Lubrication

### Engine

Refer to the separate *Tecumseh* Engines manual packed with your unit for all engine lubrication instructions.

### Gear Shaft

The gear (hex) shaft should be lubricated at least once a season or after every 25 hours of operation.

1. Remove the lower frame cover by removing the two screws which secure it.
2. Apply a light coating of an all-weather multi-purpose grease to the hex shaft, Figure 6-1.

### Wheels

At least once a season, remove both wheels. Clean and coat the axles with a multipurpose automotive grease before reinstalling wheels.

### Chute Directional Control

Once a season, the joystick should be lubricated with petroleum jelly, linseed oil, mineral oil, paraffin wax, or 3-in-1 oil.

### Auger Shaft

At least once a season, remove the shear pins on auger shaft. Spray lubricant inside shaft, around the spacers. Also lubricate the flange bearings found at either end of the shaft, Figure 6-2.

### Gear Case

The auger gear case has been filled with grease at the factory. If disassembled for any reason, lubricate with two ounces of grease (Part Number 737-0168).

**NOTE:** Do not overfill the gear case. Damage to the seals could result. Be sure the vent plug is free of grease in order to relieve pressure.

## Shave Plate and Skid Shoes

The shave plate and skid shoes on the bottom of the snow thrower are subject to wear. They should be checked periodically and replaced when necessary. To remove skid shoes:

1. Remove the four carriage bolts and hex flange nuts which secure them to the snow thrower.
2. Reassemble new skid shoes with the four carriage bolts (two on each side) and hex flange nuts, Figure 6-3.

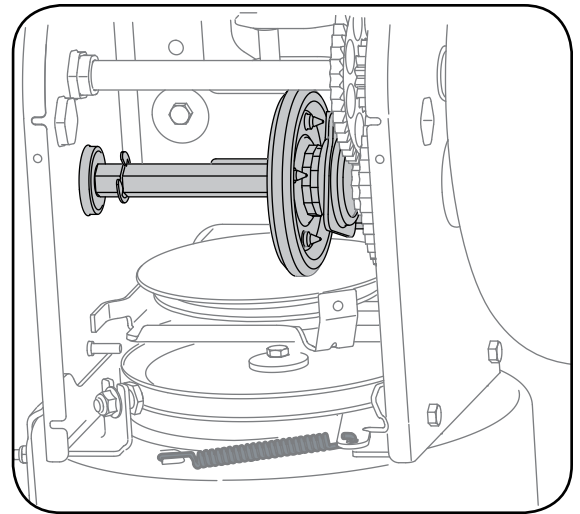


Figure 6-1

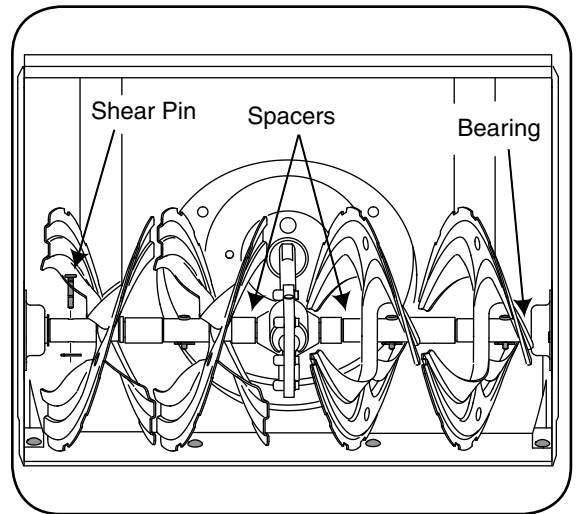


Figure 6-2

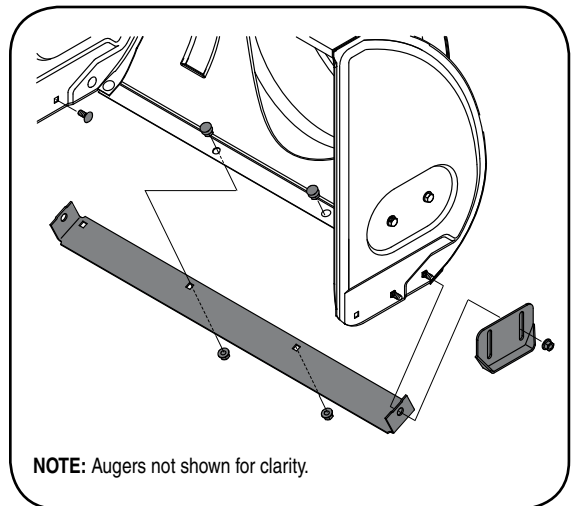


Figure 6-3

To remove shave plate:

1. Remove the carriage bolts and hex nuts which attach it to the snow thrower housing.
2. Reassemble new shave plate, making sure heads of carriage bolts are to the inside of housing. Tighten securely.



## Auger Belt Replacement

To remove and replace your snow thrower's auger belt, proceed as follows:

1. Remove the plastic belt cover on the front of the engine by removing the two self-tapping screws, Figure 6-4.
2. Carefully pivot the snow thrower up and forward so that it rests on the auger housing. Remove the frame cover from the underside of the snow thrower by removing four self-tapping screws which secure it, Figure 6-5.
3. Roll the auger belt off the engine pulley, Figure 6-6.
4. a. Loosen and remove the shoulder screw which acts as a belt keeper, Figure 6-7.  
b. Unhook the support bracket spring from the frame.
5. Remove the belt from around the auger pulley, and slip the belt between the support bracket and the auger pulley, Figure 6-8. Reassemble auger belt by following instructions in reverse order.

**NOTE:** Do not forget to reinstall the shoulder screw and reconnect the spring to the frame after installing a replacement auger belt.

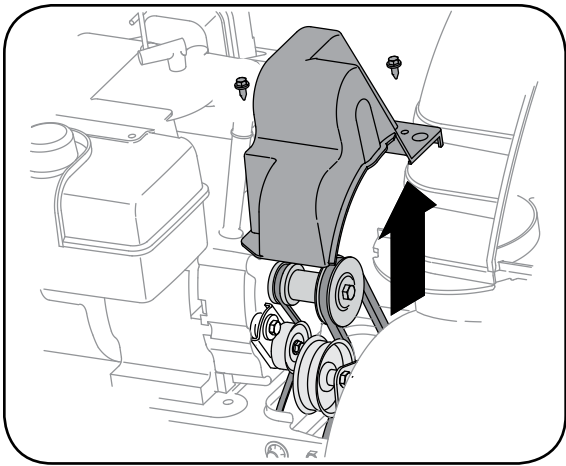


Figure 6-4

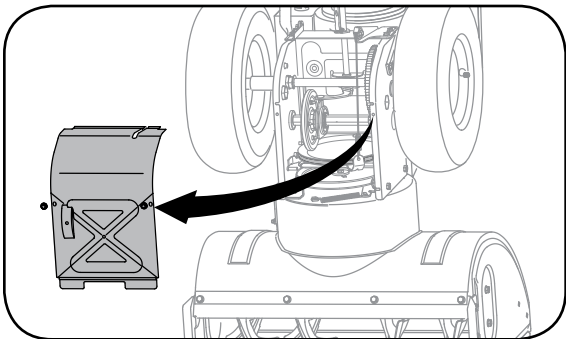


Figure 6-5

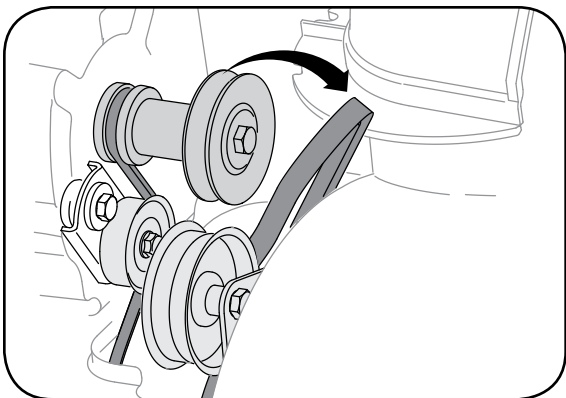


Figure 6-6

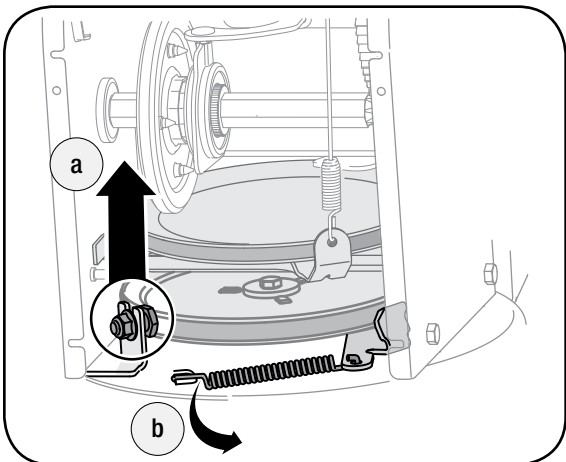


Figure 6-7

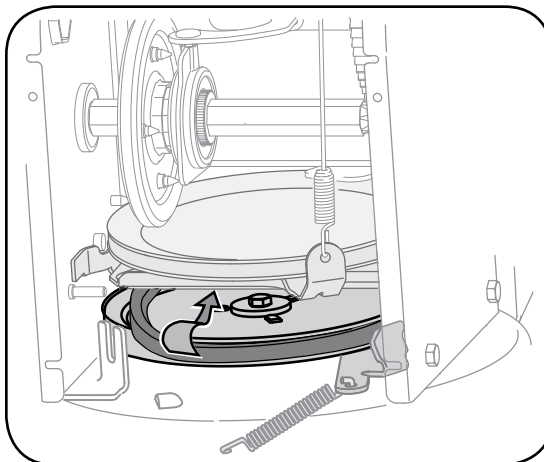


Figure 6-8

# 6

## Maintaining Your Snow Thrower



Although multi-viscosity oils (5W30, 10W30 etc.) improve starting in cold weather, these multi-viscosity oils also result in higher oil consumption when used above 32°F. Check your snow thrower's engine oil level more frequently to avoid possible engine damage from running low on oil.

Do not sandblast spark plug. Spark plug should be cleaned by scraping or wire brushing and washing with a commercial solvent.

**NEVER** replace the auger shear pins with standard pins. Any damage to the auger gearbox or other components, as a result of doing so, will NOT be covered by your snow thrower's warranty.

# 6

## Maintaining Your Snow Thrower



**NEVER** replace the auger shear pins with anything other than OEM Part No. 738-04124A replacement shear pins. Any damage to the auger gearbox or other components as a result of failing to do so will NOT be covered by your snow thrower's warranty.

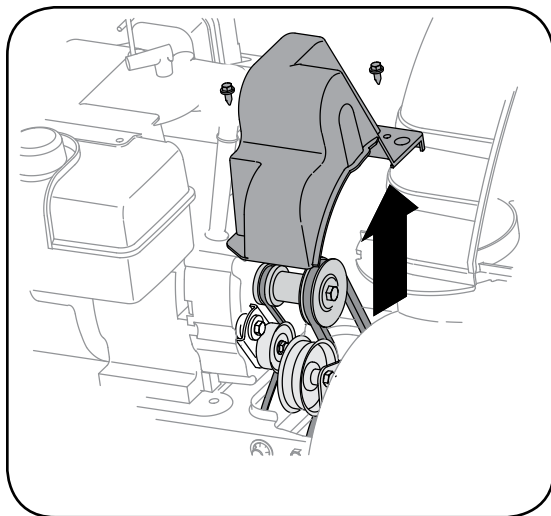


Figure 6-9

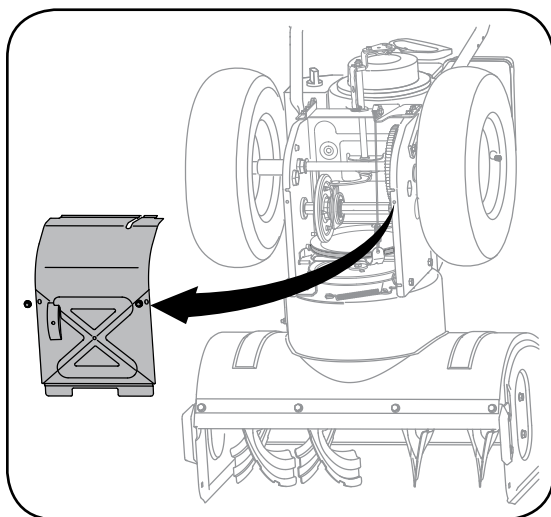


Figure 6-10

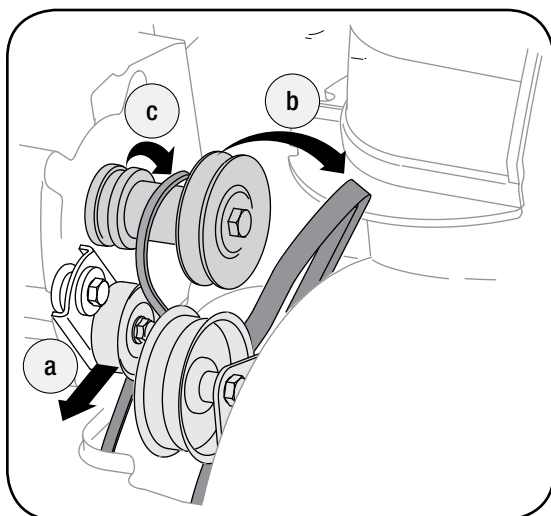


Figure 6-11

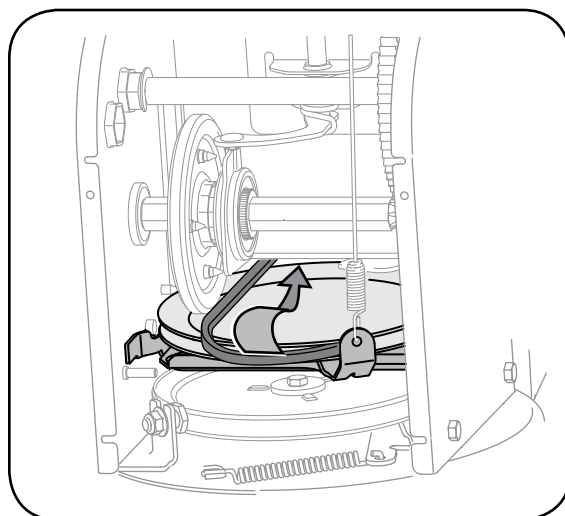


Figure 6-12

## Augers

- The augers are secured to the spiral shaft with two shear pins and cotter pins. If the auger should strike a foreign object or ice jam, the snow thrower is designed so that the pins may shear, Figure 6-2.
- If the augers will not turn, check to see if the pins have sheared. One set of replacement shear pins has been provided with the snow thrower. When replacing pins, spray an oil lubricant into shaft before inserting new pins.

## Drive Belt Replacement

To remove and replace your snow thrower's auger belt, proceed as follows:

1. Remove the plastic belt cover on the front of the engine by removing the two self-tapping screws, Figure 6-9.
- Drain the gasoline from the snow thrower, or place a piece of plastic under the gas cap.
- Carefully pivot the snow thrower up and forward so that it rests on the auger housing.
2. Remove the frame cover from the underside of the snow thrower by removing four self-tapping screws which secure it, Figure 6-10.
3. a. Grasp the idler pulley and pivot it toward the right, Figure 6-11.  
b. Roll the auger belt off the engine pulley.  
c. Lift the drive belt off engine pulley.
4. Slip the drive belt off the pulley and between friction wheel and friction wheel disc, Figure 6-12.
- Remove and replace belt in the reverse order.

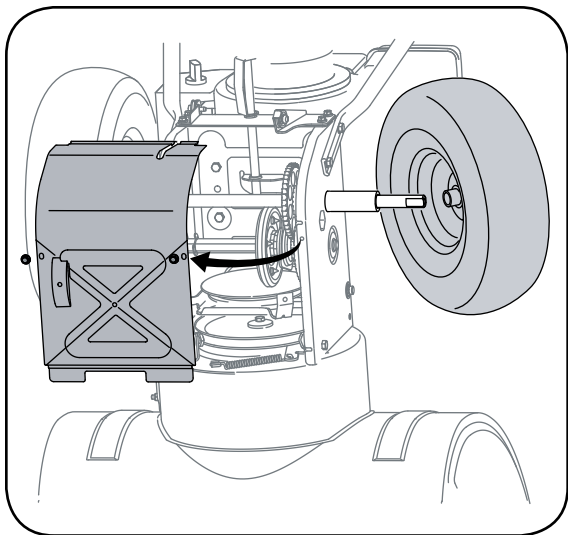


Figure 6-13

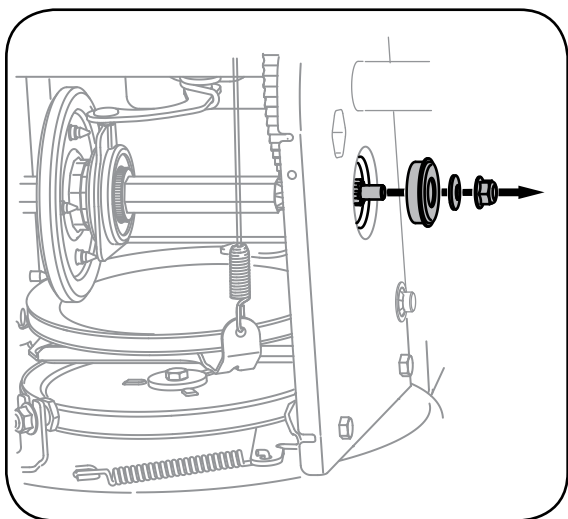


Figure 6-14

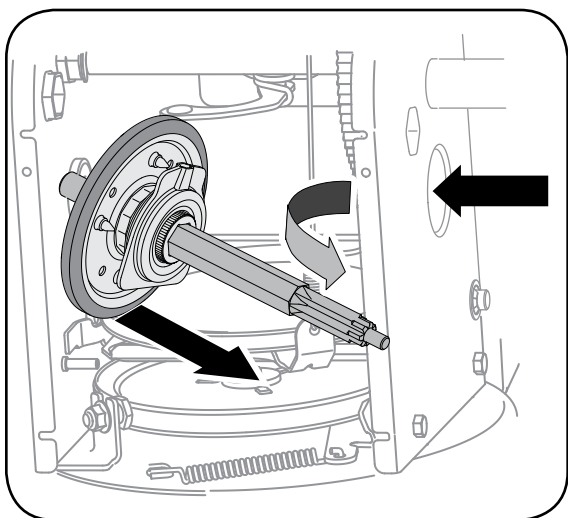


Figure 6-15

## Friction Wheel Removal

If the snow thrower fails to drive with the drive control engaged, and performing the drive control cable adjustment fails to correct the problem, the friction wheel may need to be replaced. Follow the instructions below.

Examine the friction wheel for signs of wear or cracking and replace if necessary

- Place the shift lever in third Forward (F3) position.
  - Drain the gasoline from the snow thrower, or place a piece of plastic under the gas cap.
  - Carefully pivot the snow thrower up and forward so that it rests on the auger housing.
1. a. Remove the frame cover from the underside of the snow thrower by removing four self-tapping screws which secure it, Figure 6-13.
    - b. Remove the right-hand wheel by removing the screw and bell washer which secure it to the axle.
  2. Carefully remove the hex nut and washer which secures the hex shaft to the snow thrower frame and lightly tap the shaft's end to dislodge the ball bearing from the right side of the frame, Figure 6-14.
  3. Carefully position the hex shaft downward and to the left before carefully sliding the friction wheel assembly off the shaft, Figure 6-15.

**NOTE:** If you're replacing the friction wheel assembly as a whole, discard the worn part and slide the new part onto the hex shaft. Follow the steps above in reverse order to reassemble components. If you're disassembling the friction wheel and replacing only the rubber ring, proceed as follows:

4. Remove the four screws which secure the friction wheel's side plates together, Figure 6-16.
- Remove the rubber ring from between the plates.
  - Reassemble the side plates with a new rubber ring.
  - Slide the friction wheel assembly back onto the hex shaft and follow the steps above in reverse order to reassemble components.

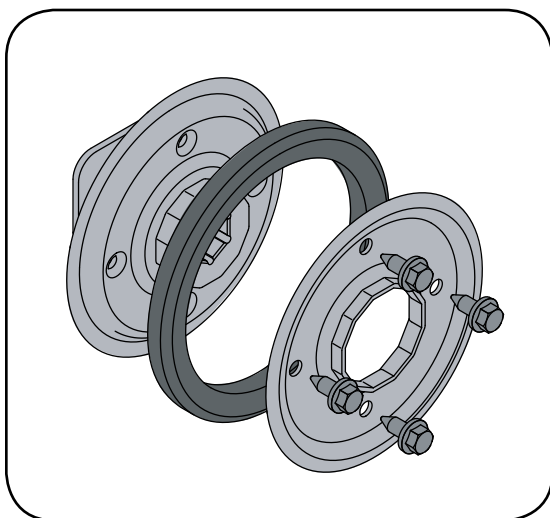


Figure 6-16

# 6

## Maintaining Your Snow Thrower



**When reassembling the friction wheel assembly, tighten each screw only one rotation before turning the wheel clockwise and proceeding with the next screw. Repeat this process several times to ensure the plates are secured with equal force.**

**NEVER** replace the auger shear pins with anything other than OEM Part No. 738-04124A replacement shear pins. Any damage to the auger gearbox or other components as a result of failing to do so will NOT be covered by your snow thrower's warranty.

# 7

## Off-Season Storage



### WARNING

Never store snow thrower with fuel in tank indoors or in poorly ventilated areas, where fuel fumes may reach an open flame, spark or pilot light as on a furnace, water heater, clothes dryer or gas appliance.

Fuel left in engine during warm weather deteriorates and will cause serious starting problems.

Never use engine or carburetor cleaning products in the fuel tank or permanent damage may occur.

If the snow thrower will not be used for 30 days or longer, or if it is the end of the snow season when the last possibility of snow is gone, the equipment needs to be stored properly. Follow storage instructions below to ensure top performance from the snow thrower for many more years.

## Preparing Engine

NOTE: Refer to the engine manual for more detailed information on preparing the snow thrower engine for storage.

### Short-Term Storage

It is important to prevent gum deposits from forming in essential fuel system parts of the engine such as the carburetor, fuel filter, fuel hose, or tank during short-term storage (15-30 days). To prevent this, treat the fuel system using a fuel stabilizer.

Fuel stabilizer (such as STA-BIL™ or ULTRA-FRESH™) is an acceptable alternative in minimizing the formation of fuel gum deposits during storage. Add stabilizer to gasoline in fuel tank or storage container. Always follow mix ratio found on stabilizer container. Run engine at least 10 minutes after adding stabilizer to allow it to reach the carburetor.



**WARNING:** Never store snow thrower with fuel in tank indoors or in poorly ventilated areas, where fuel fumes may reach an open flame, spark or pilot light as on a furnace, water heater, clothes dryer or gas appliance.



**CAUTION:** *Alcohol blended fuels (called gasohol or using ethanol or methanol) can attract moisture which leads to separation and formation of acids during storage. Acidic gas can damage the fuel system of an engine while in storage.*

### Long-Term Storage

To avoid engine problems, the fuel system should be emptied before storage for 30 days or longer.



**WARNING:** Fuel left in engine during warm weather deteriorates and will cause serious starting problems.

1. Run the engine until the fuel tank is empty and it stops due to lack of fuel. Do not attempt to pour fuel from the engine.



**WARNING:** Never use engine or carburetor cleaning products in the fuel tank or permanent damage may occur.

2. Remove the spark plug and pour one (1) ounce of engine oil through the spark plug hole into the cylinder. Cover spark plug hole with a rag and crank the engine several times to distribute the oil. Replace spark plug.

## Preparing Snow Thrower

- When storing the snow thrower in an unventilated or metal storage shed, care should be taken to rustproof the equipment. Using a light oil or silicone, coat the equipment, especially any chains, springs, bearings and cables.
- Remove all dirt from exterior of engine and equipment.
- Follow lubrication recommendations.
- Store equipment in a clean, dry area.

<b>Problem</b>	<b>Cause</b>	<b>Remedy</b>
Engine fails to start	<ol style="list-style-type: none"> <li>1. Choke not in ON position.</li> <li>2. Spark plug wire disconnected.</li> <li>3. Fuel tank empty or stale fuel.</li> <li>4. Engine not primed.</li> <li>5. Faulty spark plug.</li> <li>6. Blocked fuel line.</li> <li>7. Safety key not in ignition on engine.</li> </ol>	<ol style="list-style-type: none"> <li>1. Move choke to ON position.</li> <li>2. Connect wire to spark plug.</li> <li>3. Fill tank with clean, fresh gasoline.</li> <li>4. Prime engine as instructed in "Operating Your Snow Thrower".</li> <li>5. Clean, adjust gap, or replace.</li> <li>6. Clean fuel line.</li> <li>7. Insert key fully into the switch.</li> </ol>
Engine runs erratic	<ol style="list-style-type: none"> <li>1. Unit running on CHOKE.</li> <li>2. Blocked fuel line or stale fuel.</li> <li>3. Water or dirt in fuel system.</li> <li>4. Carburetor out of adjustment.</li> </ol>	<ol style="list-style-type: none"> <li>1. Move choke lever to OFF position.</li> <li>2. Clean fuel line; fill tank with clean, fresh gasoline.</li> <li>3. Drain fuel tank. Refill with fresh fuel.</li> <li>4. Contact an authorized Service Center.</li> </ol>
Engine overheats	<ol style="list-style-type: none"> <li>1. Carburetor not adjusted properly.</li> </ol>	<ol style="list-style-type: none"> <li>1. Contact Service Center.</li> </ol>
Excessive Vibration	<ol style="list-style-type: none"> <li>1. Loose parts or damaged auger.</li> </ol>	<ol style="list-style-type: none"> <li>1. Stop engine immediately and disconnect spark plug wire. Tighten all bolts and nuts. If vibration continues, have unit serviced by an authorized Service Center.</li> </ol>
Loss of power	<ol style="list-style-type: none"> <li>1. Spark plug wire loose.</li> <li>2. Gas cap vent hole plugged.</li> <li>3. Exhaust port plugged.</li> </ol>	<ol style="list-style-type: none"> <li>1. Connect and tighten spark plug wire.</li> <li>2. Remove ice and snow from gas cap. Be certain vent hole is clear.</li> <li>3. Contact Service Center.</li> </ol>
Unit fails to propel itself	<ol style="list-style-type: none"> <li>1. Drive control cable in need of adjustment.</li> <li>2. Drive belt loose or damaged.</li> </ol>	<ol style="list-style-type: none"> <li>1. Adjust drive control cable. Refer to "Making Adjustments".</li> <li>2. Replace drive belt.</li> </ol>
Unit fails to discharge snow	<ol style="list-style-type: none"> <li>1. Chute assembly clogged.</li> <li>2. Foreign object lodged in auger.</li> <li>3. Auger control cable in need of adjustment.</li> <li>4. Auger belt loose or damaged.</li> <li>5. Shear pin(s) sheared.</li> </ol>	<ol style="list-style-type: none"> <li>1. Stop engine immediately and disconnect spark plug wire. Clean chute assembly and inside of auger housing with clean-out tool or a stick.</li> <li>2. Stop engine immediately and disconnect spark plug wire. Remove object from auger with clean-out tool or a stick.</li> <li>3. Refer to Auger Control Test.</li> <li>4. Refer to Maintenance section.</li> <li>5. Replace with new shear pin(s).</li> </ol>

# 8

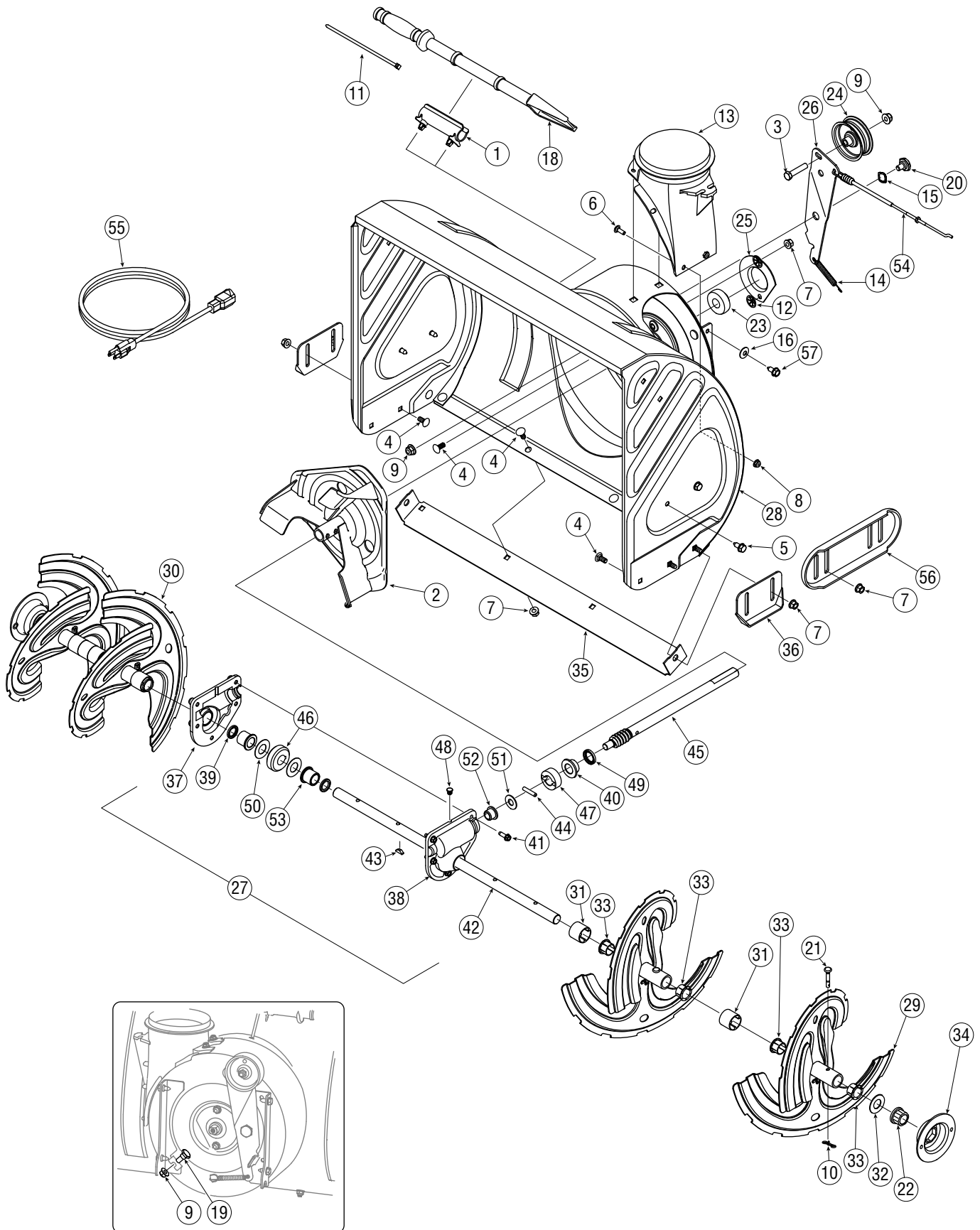
## Troubleshooting



**This section addresses minor service issues. For further details, contact an authorized service center.**



# Style N





# 9

## Illustrated Parts List

To order replacement  
parts, call  
**1-800-648-6776**  
or visit  
[www.troybilt.com](http://www.troybilt.com)

This Operator's Manual  
may cover a range of  
product specifications  
for various models.  
Characteristics and fea-  
tures discussed and/or  
illustrated in this manual  
may not be applicable to  
all models.

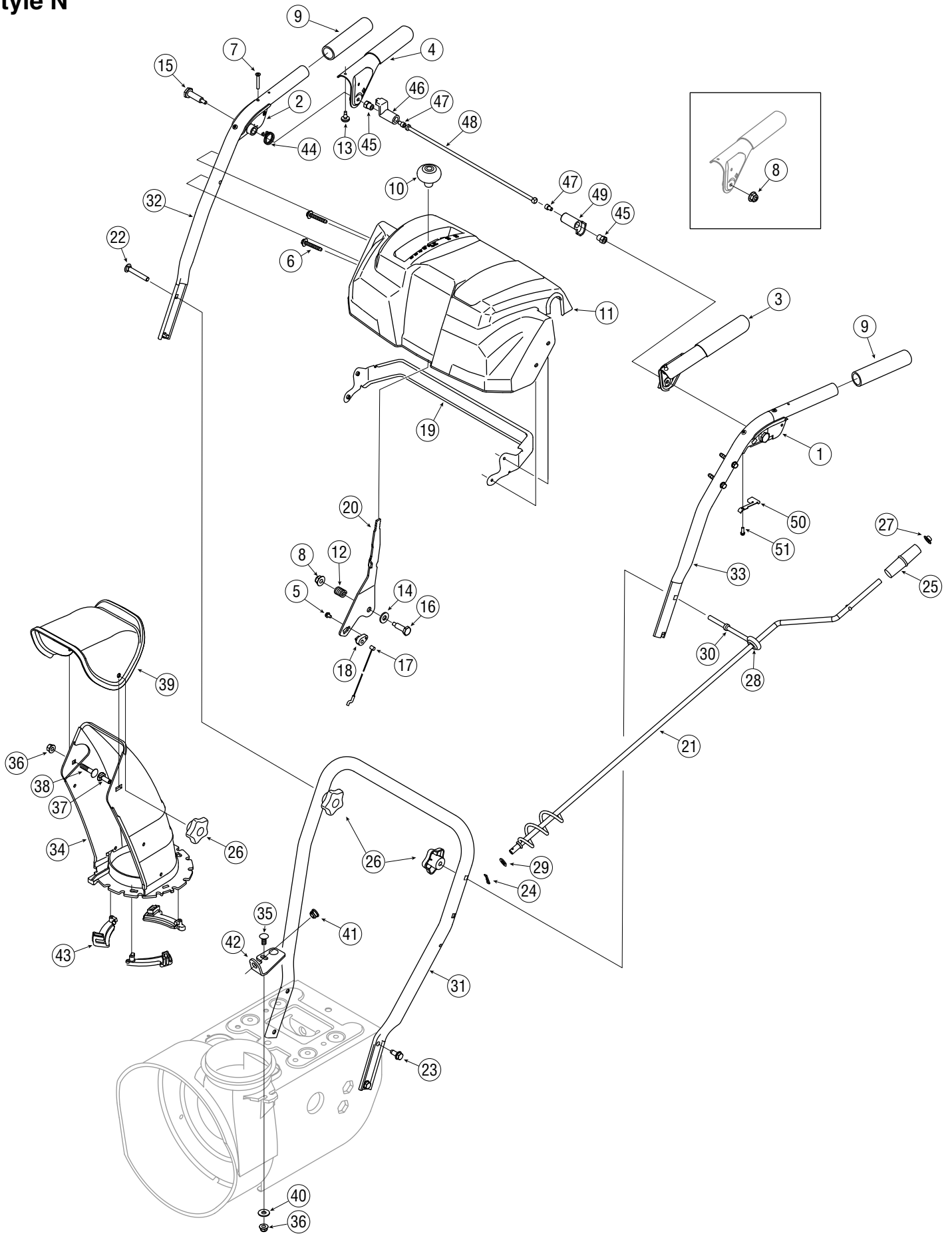
1.	731-2635	Snow Removal Tool Mount	30.	684-04108	Spiral Assembly, RH
2.	684-04057	Impeller Assembly, 12" Dia.	31.	731-04870*	Spacer, 1.25 OD x .75 ID x 1.00
3.	710-0347	Hex Screw, 3/8-16, 1.75, Gr5	32.	736-0188	Washer, Flat, .76 x 1.49 x .06
4.	710-0451	Bolt, Carriage, 5/16-18, .750 Gr1	33.	741-0493A	Bushing, Flange, .80 ID x .91 OD
5.	710-0604A	Screw, 5/16-18, 0.625	34.	790-00087A	Bearing Housing
6.	710-0703	Screw, Carriage, 1/4-20, .750, Gr5	35.	790-00120	Shave Plate, 23.66 (24" auger)
7.	712-04063	Nut, Flange Lock, 5/16-18, Nylon		790-00121	Shave Plate, 25.66 (26" auger)
8.	712-04064	Nut, Flange Lock, 1/4-20, Nylon	36.	784-5580	Slide Shoe, Std.
9.	712-04065	Nut, Flange Lock, 3/8-16, Nylon	37.	719-0319	Housing, Auger, RH Reduced
10.	714-04040	Cotter Pin, Bow-tie	38.	719-0320	Housing, Auger, LH Reduced
11.	725-0157	Cable, Tie, 3/16 x .05 x 7.4	39.	721-0327	Seal, Oil, .750 ID
12.	726-04012	Nut, Push-on, .25 Dia	40.	741-0662	Bearing, Flange, .75 x 1.0 x .59
13.	731-04705	Chute, Adapter 5" Dia	41.	710-0642	Screw, Self-tapping, 1/4-20, 0.750
14.	732-0611	Spring, Extension, .38 OD x 3.6	42.	711-04285	Axle, Auger, 24"
15.	736-0174	Washer, Wave, .625 x .885 x .015		711-04284	Axle, Auger, 26"
16.	736-0242	Washer, Bell, .340 x .872 x .060	43.	714-0161	Key, Hi-pro 3/16 x 5/8
17.	736-0463	Washer, Flat, .25 x .630 x .0515	44.	715-04021	Pin, Dowel, .25 OD x 1.2
18.	731-2643	Snow Removal Tool	45.	717-04126	Shaft, Worm .75 OD
19.	738-0143	Screw, Shoulder, .498 x .34, 3/8-16	46.	717-0528A	Gear, Worm 20T
20.	738-0281	Screw, Shoulder, .625 x .17, 3/8-16	47.	718-04071	Collar, Thrust
21.	738-04124A	Shear Pin, .25 x 1.50	48.	721-0325	Plug, 1/4 x .437
22.	741-0245	Bearing, Hex Flange x .75 ID	49.	721-0327	Seal, Oil, .75 x 1 x .131
23.	741-0309	Bearing, Ball, .75 ID x 1.85 OD	50.	736-0351	Washer, Flat, .760 ID x 1.5 OD
24.	756-0981B	Flat Pulley, Idler, 2.75 OD	51.	736-3084	Washer, Flat, .51 x 1.12
25.	790-00075	Housing, Bearing, 1.85 ID	52.	741-0663	Bearing, Flange, .75 x 1.0 x .925
26.	790-00080A	Bracket, Auger Idler w/ Brake	53.	741-0661A	Bearing, Flange, .75 x 1.00 x .975
27.	918-04191	Gearbox Assembly, Auger, 24"	54.	746-04230	Clutch Cable, Auger, 47.23"
	918-04192	Gearbox Assembly, Auger, 26"	55.	629-0071	Extention Cord, 110V
28.	684-04077	Housing Assy Troy-Bilt, Auger 24"	56.	790-00091	Slide Shoe, Deluxe
	684-04078	Housing Assy Troy-Bilt, Auger 26"	57.	710-1260A	Screw, 5/16-18, 0.75
29.	684-04107	Spiral Assembly, LH			

\* One found between spirals on models with 24-inch auger housing.

\* Two found between spirals on models with 26-inch auger housing.

NOTE: Snow thrower features/components vary by model. NOT all parts listed above and pictured on the previous page are standard equipment.

# Style N



# 9

## Illustrated Parts List

To order replacement  
parts, call  
**1-800-648-6776**  
or visit  
[www.troybilt.com](http://www.troybilt.com)

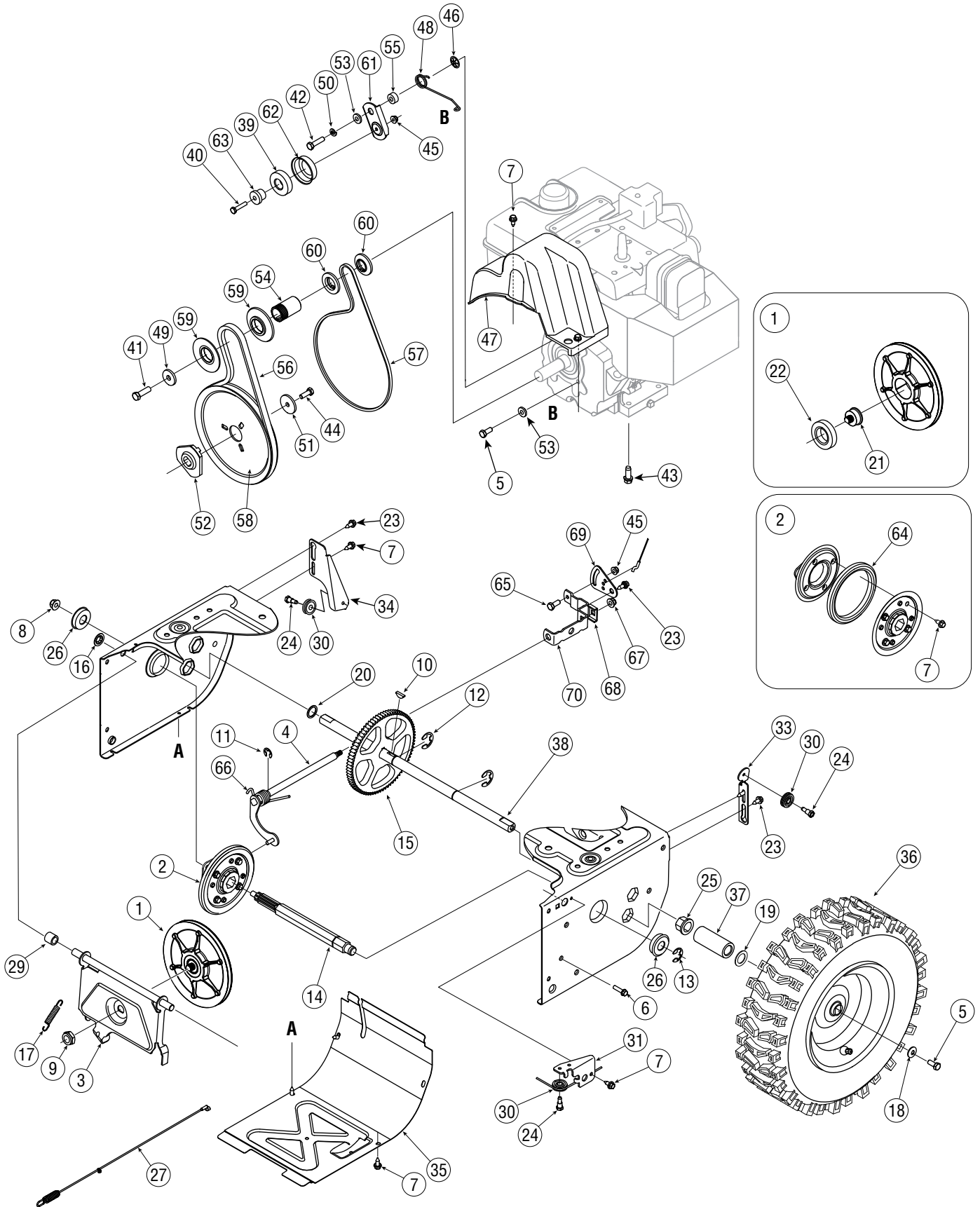
This Operator's Manual  
may cover a range of  
product specifications  
for various models.  
Characteristics and fea-  
tures discussed and/or  
illustrated in this manual  
may not be applicable to  
all models.

1.	631-04133	Handle Assembly, Lock, LH	27.	726-0100	Cap, Push, 3/8 Rod
2.	631-04134A	Handle Assembly, Lock, RH	28.	735-0234	Grommet, .44 ID x .94 OD x .50
3.	684-04105A	Handle Ass'y, Engagement LH	29.	736-0185	Washer, Flat, .375 x .738 x .063
4.	684-04106A	Handle Ass'y, Engagement, RH	30.	747-04263	Eye Bolt, Chute Crank
5.	710-0224	Screw, #10-16, 0.500	31.	749-04138	Handle, Lower
6.	710-04586	Screw, 1/4-20, 1.625	32.	749-04141	Handle, Upper, RH
7.	710-1233	Screw, Machine, #10-24, 1.375	33.	749-04142	Handle, Upper, LH
8.	712-04064	Nut, Flange Lock, 1/4-20, Nylon	34.	731-04912A	Chute, Lower, 5.0 Diameter
9.	720-0274	Grip, 1.0 ID x 5.0	35.	710-0276	Bolt, Carriage, 5/16-18, 1.0
10.	720-04039	Knob, Shift	36.	712-04063	Nut, Flange Lock, 5/16-18, Nylon
11.	731-05334	Handle Panel, N-Style	37.	710-04071	Bolt, Carriage, 5/16-18, 1.0
12.	732-0193	Spring, .39 x .60 x .88	38.	710-0451	Bolt, Carriage, 5/16-18, .750
13.	735-0199A	Bumper, Rubber, .62 OD x .22	39.	731-04426A	Chute, Upper, w/ Label
14.	736-0267	Washer, Flat, 385 x .87 x .06	40.	736-0159	Washer.349 ID x .879 OD x .063
15.	738-04122	Screw, Shoulder, .43 x 1.34, 1/4-20	41.	741-0475	Bushing, Plastic, .380
16.	738-04125	Screw, Shoulder, .374 Dia. x 1.05	42.	784-5647	Bracket, Chute Crank
17.	746-04227A	Cable, Speed Selector	43.	731-04869	Flange Keeper, Chute
18.	746-0605	Barrel Holder, Cable, LH	44.	732-04238*	Torsion Spring
19.	790-00248	Bracket, Panel	45.	712-04081A*	Nut, Hex, 1/4-20
20.	790-00203	Lever, Shift	46.	731-04894B*	Lock Plate
21.	684-04104	Crank Assembly, Chute	47.	710-04354*	Cap Screw 1/4-20 x .375
22.	710-0449	Screw, Carriage, 5/16-18, 2.25	48.	711-04287*	Pivot Rod
23.	710-1260A	Screw, 5/16-18, 0.75, Gr5	49.	731-04896A*	Clutch Lock Cam
24.	714-0104	Pin, Cotter, .072 x 1.13	50.	732-04219A*	Clutch Lock Spring
25.	720-0201A	Crank Knob, 1.0 Dia. x 3.2, Black	51.	710-04326*	Screw #8-16 x .50
26.	720-04072	Star Knob			

\*Available on units equipped with clutch lock feature.

NOTE: Snow thrower features/components vary by model. NOT all parts listed above and pictured on the previous page are standard equipment.

# Style N



# 9

## Illustrated Parts List

To order replacement  
parts, call  
**1-800-648-6776**  
or visit  
**www.troybilt.com**

This Operator's Manual  
may cover a range of  
product specifications  
for various models.  
Characteristics and fea-  
tures discussed and/or  
illustrated in this manual  
may not be applicable to  
all models.

1.	656-04025A	Disc Assembly, Friction Wheel	36.	See Chart	Wheel Assembly
2.	684-04153	Friction Wheel Assembly, 5.5 OD	37.	731-04873	Spacer, 1.25 x .75 x 3.0
3.	684-04154	Support Bracket, Friction Wheel	38.	738-04168	Axle, .75 x 22"
4.	684-04156	Shift Assembly, Rod	39.	741-0919	Ball Bearing
5.	710-0627	Hex Screw, 5/16-24, .750, Gr5	40.	710-0106	Hex Screw, 1/4-20, 1.25, Gr5
6.	710-0788	Screw, 1/4-20, 1.000	41.	710-0191	Hex Screw, 3/8-24, 1.25, Gr8
7.	710-0896	Screw, 1/4-14 x .625	42.	710-04520	Hex Screw, 5/16-24, 1.25, Gr5
8.	712-04065	Nut, Flange Lock, 3/8-16, Nylon	43.	710-0654A	Screw, Sems, 3/8-16, 1.00
9.	712-0413	Nut, Jam Lock, 5/8-18, Gr5, Nylon	44.	710-1245B	Hex Screw, 5/16-24, .875, Gr8
10.	714-0126	Key, Hi Pro, 3/16 x 3/4 Dia.	45.	712-04064	Nut, Flange Lock, 1/4-20, Nylon
11.	716-0104	E-ring, .500 Dia.	46.	726-04012	Nut, Push-on, .25 Dia.
12.	716-0136	E-ring, Retaining, .875 Dia.	47.	731-04792A	Cover, Belt
13.	716-0231	E-ring, .750 Dia.	48.	732-04308	Spring, Torsion, .850 ID x .354
14.	717-04209	Hex Shaft, .8125, 7-Tooth	49.	736-0247	Washer, Flat, .406 x 1.25 x .157
15.	717-04230	Gear, 80-Tooth	50.	736-0119	Washer, Lock .3125
16.	726-0221	Speed Nut, .500	51.	736-0505	Washer, Flat, .34 x 1.50 x .150
17.	732-0264	Extension Spring	52.	748-04053	Pulley, Adapter, .75 Dia.
18.	736-0242	Washer, Bell, .340 x .872 x .060	53.	748-04112	Spacer, Shoulder, .317 x .50 x .102
19.	736-0287	Washer, Flat, .793 x 1.24 x .060	54.	750-04303	Spacer, .875 ID x 1.185 OD
20.	736-04161	Washer, Flat, .75 x 1.00 x .060	55.	750-04477	Spacer, .340 x .750 x .360
21.	738-04164A	Pin, Friction Disc	56.	754-04050	Belt, Auger Drive
22.	741-04098	Ball Bearing, 30 x 55 x 13	57.	754-04088	Belt, Wheel Drive
23.	738-04184A	Screw, Shoulder, .37 x .105, 1/4-20	58.	756-04109	Pulley, Auger Drive, 8.1 x .5
24.	738-0924A	Screw, 1/4-28, .375	59.	756-04113	Pulley, Half, V x 2.600 OD
25.	741-0245	Bearing, Hex Flange x .75 ID	60.	756-04179	Pulley, Half, 1/4-V x 1.5 OD
26.	741-0563	Bearing, Ball, 17 x 40 x 12	61.	790-00208	Idler Bracket, Wheel Drive
27.	746-04229	Clutch Cable, Wheel, 44.95"	62.	790-00230	Sleeve, Bearing Idler
28.	746-04228	Cable, Speed Selector	63.	750-04571	Spacer, Shoulder, .26 x .79 x .538
29.	748-0190	Spacer, .508 ID x .75 OD x .68	64.	735-04054	Rubber, Friction Wheel, 5.5 OD
30.	756-0625	Roller, Cable	65.	710-0751	Hex Screw, 1/4-20, .620, Gr5
31.	790-00096	Front Guide Bracket, Auger Cable	66.	732-04311	Spring, Torsion, .750 ID x .968
32.	790-00180	Frame	67.	712-04063	Nut, Flange Lock, 5/16-18, Nylon
33.	790-00206A	Guide Bracket, Auger Cable	68.	790-00156	Bracket, Shift Spacer
34.	790-00207A	Guide Bracket, Drive Cable	69.	790-00217A	Pivot Bracket, Speed Selector
35.	790-00226	Cover, Frame	70.	790-00218A	Shift Bracket, Speed Selector

Wheel Assembly	Side	Wheel Size	Rim Only	Tire Only	Valve Only
634-04167A	Left-Hand	13.5 x 4 x 6	634-04151A	734-04128	734-0255
634-04168A	Right-Hand	13.5 x 4 x 6	634-04151A	734-04128	734-0255
634-04147A	Left-Hand	15 x 5 x 6	634-04151A	734-04012	734-0255
634-04148A	Right-Hand	15 x 5 x 6	634-04151A	734-04012	734-0255

NOTE: Snow thrower features/components vary by model. NOT all parts listed above and pictured on the previous page are standard equipment.

---

# NOTES



---

# NOTES

# MANUFACTURER'S LIMITED WARRANTY FOR



The limited warranty set forth below is given by Troy-Bilt LLC with respect to new merchandise purchased and used in the United States and/or its territories and possessions, and by MTD Products Limited with respect to new merchandise purchased and used in Canada and/or its territories and possessions (either entity respectively, "Troy-Bilt").

"Troy-Bilt" warrants this product (excluding its normal wear parts as described below) against defects in material and workmanship for a period of two (2) years commencing on the date of original purchase and will, at its option, repair or replace, free of charge, any part found to be defective in materials or workmanship. This limited warranty shall only apply if this product has been operated and maintained in accordance with the Operator's Manual furnished with the product, and has not been subject to misuse, abuse, commercial use, neglect, accident, improper maintenance, alteration, vandalism, theft, fire, water, or damage because of other peril or natural disaster. Damage resulting from the installation or use of any part, accessory or attachment not approved by Troy-Bilt for use with the product(s) covered by this manual will void your warranty as to any resulting damage.

Normal wear parts are warranted to be free from defects in material and workmanship for a period of thirty (30) days from the date of purchase. Normal wear parts include, but are not limited to items such as: batteries, belts, blades, blade adapters, grass bags, rider deck wheels, seats, snow thrower skid shoes, friction wheels, shave plates, auger spiral rubber and tires.

**HOW TO OBTAIN SERVICE:** Warranty service is available, WITH PROOF OF PURCHASE, through your local authorized service dealer. To locate the dealer in your area:

## In the U.S.A.

Check your Yellow Pages, or contact Troy-Bilt LLC at P.O. Box 361131, Cleveland, Ohio 44136-0019, or call 1-866-840-6483 or 1-330-558-7220, or log on to our Web site at [www.troybilt.com](http://www.troybilt.com).

## In Canada

Contact MTD Products Limited, Kitchener, ON N2G 4J1, or call 1-800-668-1238 or log on to our Web site at [www.mtdcanada.com](http://www.mtdcanada.com).

This limited warranty does **not** provide coverage in the following cases:

- a. The engine or component parts thereof. These items may carry a separate manufacturer's warranty. Refer to applicable manufacturer's warranty for terms and conditions.
- b. Log splitter pumps, valves, and cylinders have a separate one-year warranty.
- c. Routine maintenance items such as lubricants, filters, blade sharpening, tune-ups, brake adjustments, clutch adjustments,

deck adjustments, and normal deterioration of the exterior finish due to use or exposure.

- d. Service completed by someone other than an authorized service dealer.
- e. Troy-Bilt does not extend any warranty for products sold or exported outside of the United States and/or Canada, and their respective possessions and territories, except those sold through Troy-Bilt's authorized channels of export distribution.
- f. Replacement parts that are not genuine Troy-Bilt parts.
- g. Transportation charges and service calls.
- h. If Products are used commercially. (Troy-Bilt may separately offer Limited Commercial Warranties on certain select products. Ask your dealer or retailer for details or contact Troy-Bilt Service for more information).

**No implied warranty, including any implied warranty of merchantability of fitness for a particular purpose, applies after the applicable period of express written warranty above as to the parts as identified. No other express warranty, whether written or oral, except as mentioned above, given by any person or entity, including a dealer or retailer, with respect to any product, shall bind Troy-Bilt. During the period of the warranty, the exclusive remedy is repair or replacement of the product as set forth above.**

**The provisions as set forth in this warranty provide the sole and exclusive remedy arising from the sale. Troy-Bilt shall not be liable for incidental or consequential loss or damage including, without limitation, expenses incurred for substitute or replacement lawn care services or for rental expenses to temporarily replace a warranted product.**

Some states do not allow the exclusion or limitation of incidental or consequential damages, or limitations on how long an implied warranty lasts, so the above exclusions or limitations may not apply to you.

In no event shall recovery of any kind be greater than the amount of the purchase price of the product sold. **Alteration of safety features of the product shall void this warranty.** You assume the risk and liability for loss, damage, or injury to you and your property and/or to others and their property arising out of the misuse or inability to use the product.

This limited warranty shall not extend to anyone other than the original purchaser or to the person for whom it was purchased as a gift.

**HOW STATE LAW RELATES TO THIS WARRANTY:** This limited warranty gives you specific legal rights, and you may also have other rights which vary from state to state.

**IMPORTANT:** Owner must present Original Proof of Purchase to obtain warranty coverage.

**Troy-Bilt LLC, P.O. BOX 361131 CLEVELAND, OHIO 44136-0019; Phone: 1-866-840-6483, 1-330-558-7220  
MTD Canada Limited - KITCHENER, ON N2G 4J1; Phone 1-800-668-1238**